

# INSTRUCTIONS

## MODEL 6801/6614 MEAT SAW

*MODEL*

6801            *ML-141167*

6614            *ML-141220*



701 S. RIDGE AVENUE  
TROY, OHIO 45373  
937 332-3000  
[www.hobartcorp.com](http://www.hobartcorp.com)

FORM 48152 (May 2021)

# Installation, Operation, and Care of MODEL 6801/6614 MEAT SAW

READ INSTRUCTIONS BEFORE USING SAW

SAVE THESE INSTRUCTIONS

## GENERAL

The 6801/6614 Meat Saw is rugged, durable, and easy to clean. The saw is equipped with a water resistant 3 HP electric motor and direct gear drive transmission. The carriage (Fig. 1) has stainless steel ball bearings providing easy travel and dependability. The shaped front edge of the carriage is comfortable to the operator's body even when leaned on during movement. The carriage lock is standard.

Table, carriage, pulleys, guides, and wiper assemblies can be quickly removed without tools for ease of cleaning. Moving parts are enclosed but accessible. The blade is guarded above and below the cutting zone. The pusher plate is provided to eliminate the need of handling items close to the blade. On the standard carriage, the pusher can ride on the right "flanged-end" of the carriage so you keep your hands away from the cutting edge of the blade. The optional integrated pusher carriage includes a built-in pusher that slides along a rod on the right side of the carriage and provides the same functionality. The pusher can be held stationary while the carriage is in use by utilizing the parking notch. The built-in pusher can be removed from the carriage for cleaning or cleaned along with the carriage when taken to the sink.

For electrical specifications above 250 volts, a transformer provides a 115 volt control circuit voltage. Thermal overload protection is an option.

One long-life blade is furnished with each saw as standard equipment. This blade cannot be re-sharpened; replacement blades are available through your local Hobart Service Office.

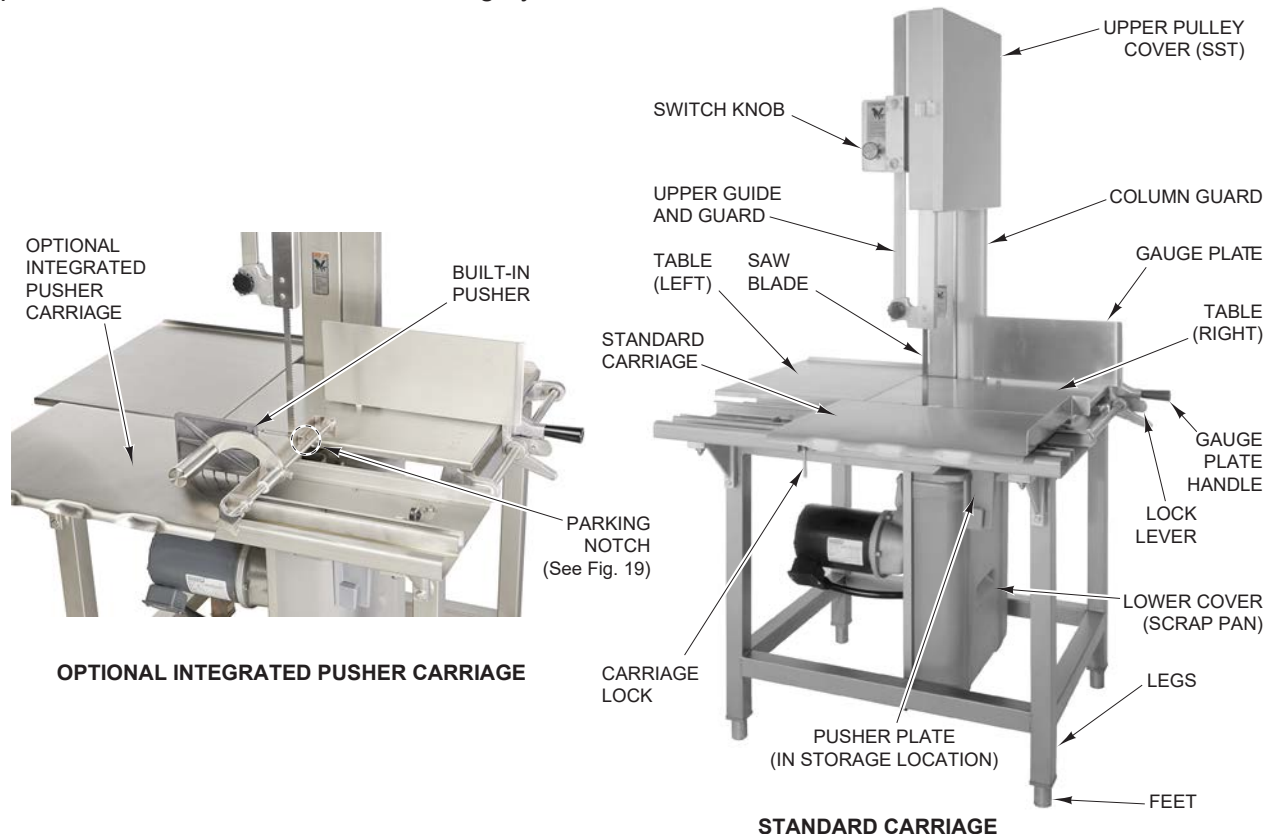


Fig. 1

# INSTALLATION

## UNPACKING AND ASSEMBLY

The saw was inspected before leaving the factory. The carrier assumes full responsibility for the safe delivery upon acceptance of the shipment. Check for possible shipping damage immediately after receipt.

If the saw is found to be damaged, complete the following steps:

1. Carrier must be notified within five business days of receipt.
2. Carrier's local terminal must be notified immediately upon discovery (note time, date, and who was spoken to), and follow up and confirm with written or electronic communication.
3. All original packing materials must be kept for inspection purposes.
4. The saw cannot have been moved, installed, or modified.
5. Notify Hobart customer care at (800) 333-7447.



Fig. 2

Prior to installation, test the electrical service to make sure it agrees with the specifications on the machine data plate (Fig. 2) located on the column.

Packed in a packet attached to the table compartment are the pusher plate, when a standard carriage is provided, and the gauge plate handle. Place the pusher plate in its storage location under the carriage support (Fig. 3). Assemble the gauge plate handle to the gauge plate support by screwing the stud into the threaded hole (Fig. 4).

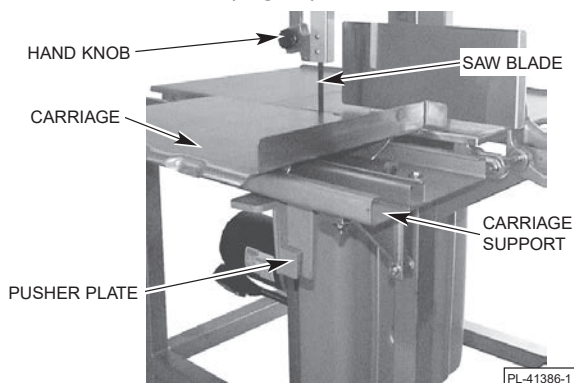


Fig. 3

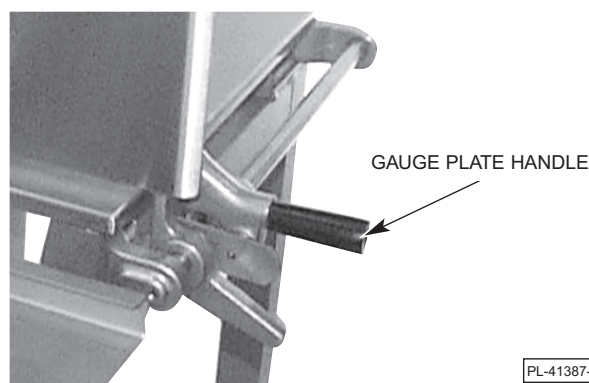


Fig. 4

## LEVELING

Place the saw in its operating location. Using a spirit level, level the saw front-to-back and side-to-side by turning the threaded feet in or out. The foot will stop turning when it has achieved its maximum adjustment height.

**⚠ WARNING** Disconnect the electrical power to the machine and follow lockout/tagout procedures.

## SAW BLADE

The saw blade must be installed so the teeth on the cutting edge point to the right and down (Fig. 5).

## UPPER GUIDE AND GUARD ASSEMBLY

When the saw is off, the hand knob (Fig. 5) can be used to position the upper guide and guard assembly so the cutting zone is only as high as necessary for the piece being cut. The hand knob is not loosened during raising or lowering — it should remain tightly secure.

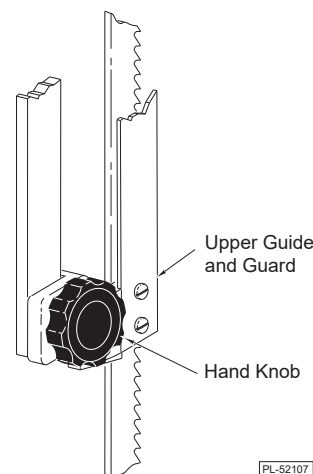


Fig. 5

## COLUMN GUARD

The column guard (Fig. 6) covers the return loop of the moving blade and must always be in place during sawing. To remove the column guard for cleaning or blade change, first remove the right table and the upper pulley cover. You may want to remove the lower cover (scrap pan) as well. Then, lift the column guard up to free it from the two shoulder-screw heads on the column that it hangs from.

## TABLES — RIGHT AND LEFT

During use, the right and left tables (Fig. 6) are secured underneath by pins and clamps. To remove the tables for cleaning: raise the gauge plate to its vertical position; lift the right side of the right table up; and, remove the table from the two pins. After the right table is removed, the left table can be removed: lift the left side of the left table up and shift it to the right to free it from the two pins.

## UPPER PULLEY COVER

The stainless steel upper pulley cover (Fig. 6) should be installed on the two hinge pins of the stainless steel upper pulley baffle and securely latched during saw use. To remove the stainless steel upper pulley cover for cleaning, unlatch and open the stainless steel upper pulley cover; then, lift straight up and off the hinge pins.

## LOWER COVER (SCRAP PAN)

During use, the lower cover (Fig. 6) acts as a scrap pan, accumulating bone dust and debris from the blade scrapers and pulley wiper that are located on the lower panel (Fig. 7). To remove the lower cover (scrap pan) for cleaning, release the clip at the top; pull out and lift the lower cover from the groove at the bottom of the lower panel.

## BLADE SCRAPERS

Two blade scrapers wipe the blade during sawing to accumulate bone dust and debris inside the lower cover (scrap pan). The front scraper points up and the rear scraper points down (Fig. 7). After the blade is removed, the scrapers can slide off their mounting blocks for cleaning.

## PULLEY WIPER

The pulley wiper (Fig. 7) scrapes bone dust and debris from the lower pulley during use. The pulley wiper can be removed for cleaning by springing the wiper up and sliding it off the pins.

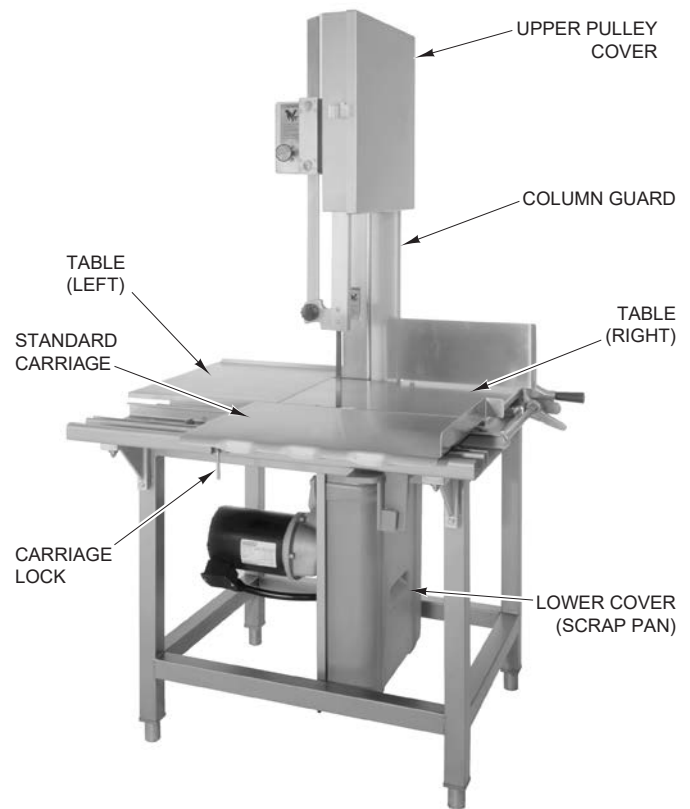


Fig. 6

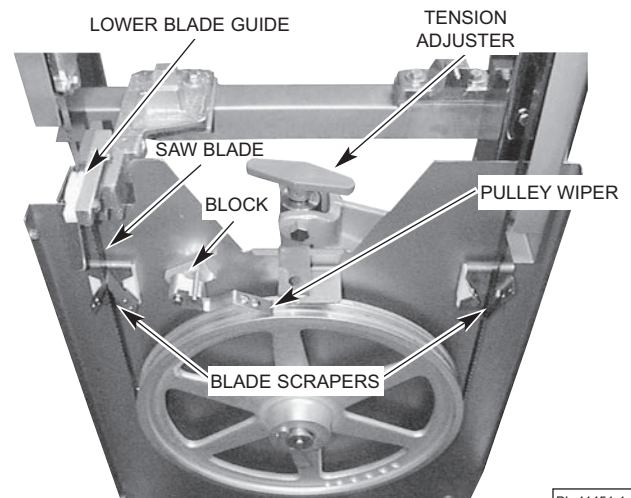


Fig. 7

## LOWER PULLEY

The lower pulley is assembled on the lower pulley shaft. The latch on the lower pulley should be seated in the groove of the pulley shaft (Fig. 8). The lower pulley can be removed after the blade has first been loosened and removed and the lower pulley latch is moved out of the groove of the lower pulley shaft.

## UPPER PULLEY

The upper pulley is assembled on the upper pulley shaft. The round retainer on the upper pulley shaft should be positioned out-of-center when latched (Fig. 9). The upper pulley can be removed after the blade has first been loosened and removed and the round retainer is moved to the center of the upper pulley shaft.

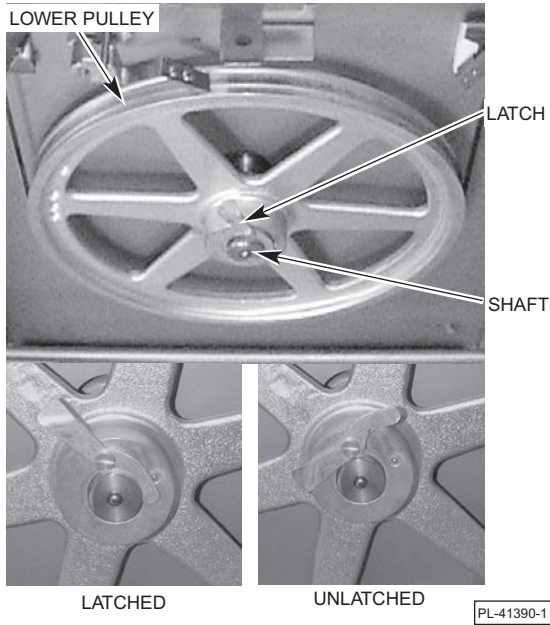


Fig. 8

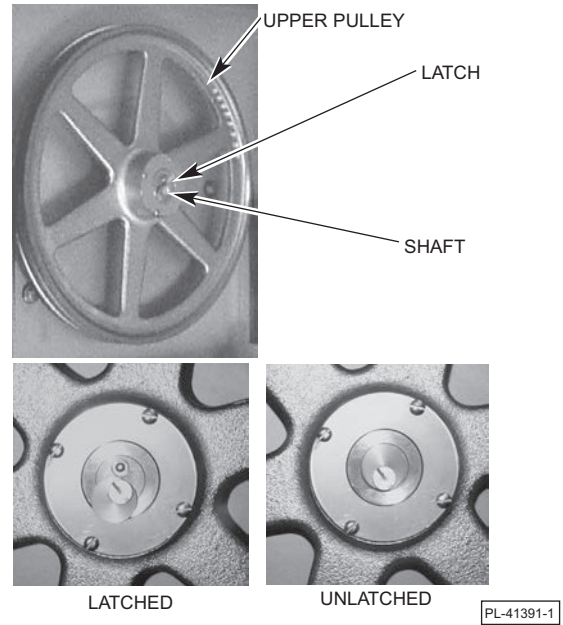


Fig. 9

## SCRAP TRAY

During use, the scrap tray should be installed between the left-hand table and the carriage support (Fig. 10). The scrap tray slides into place, resting on the frame between the carriage support and table. The angled side of the scrap tray is located nearest the blade.

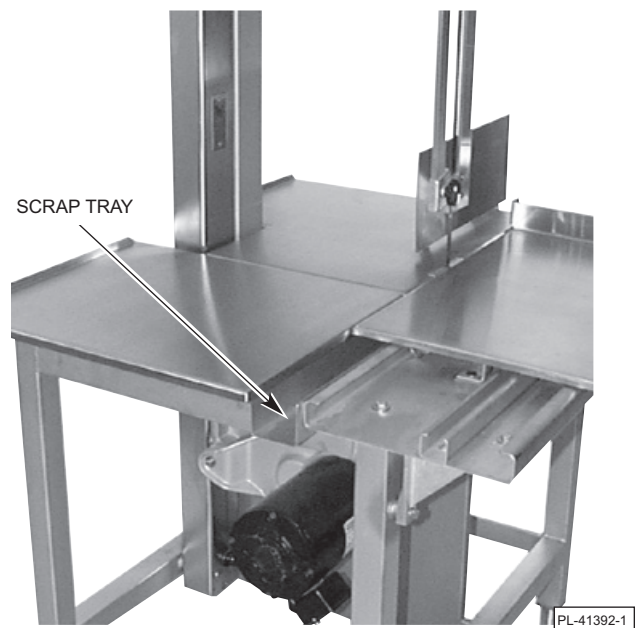


Fig. 10

## CARRIAGE — STANDARD OR INTEGRATED PUSHER

In use, the carriage can roll back and forth between the left carriage stop (Fig. 11) and the right carriage stop, assuming the spring-loaded carriage lock (Fig. 6) has not locked the carriage in a stationary position.

To remove the carriage, turn either of the carriage stops 90 degrees so the bumper is toward the rear (Fig. 12). Roll the carriage off either end while lifting it free of the carriage support structure (Fig. 11).

To reinstall the carriage, hold the carriage so the bearings (underneath) are aligned with the carriage support structure. Roll the carriage into place. Return the carriage stops so the carriage is stopped at both ends.

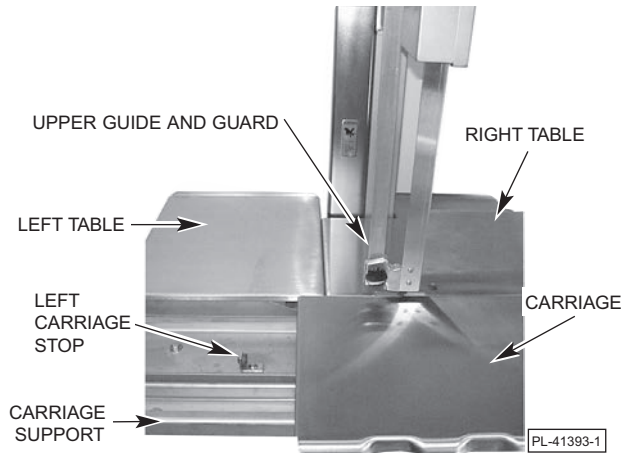


Fig. 11

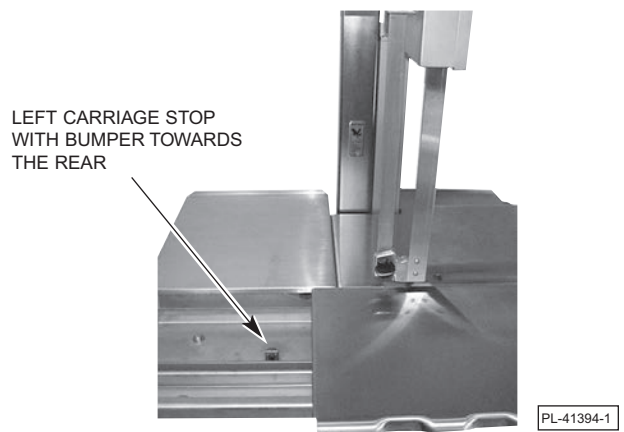


Fig. 12

## INTEGRATED PUSHER CARRIAGE

For ease of cleaning, the pusher can be removed from the integrated pusher carriage by unscrewing the knob and pulling the knob/rod assembly out of the pusher arm. The handle and pusher can also be removed from the arm by unscrewing the handle. See Figure 13 for the assembled view and Figure 14 for the disassembled view of the integrated pusher carriage components. Replace pusher on the integrated pusher carriage after cleaning.



Fig. 13

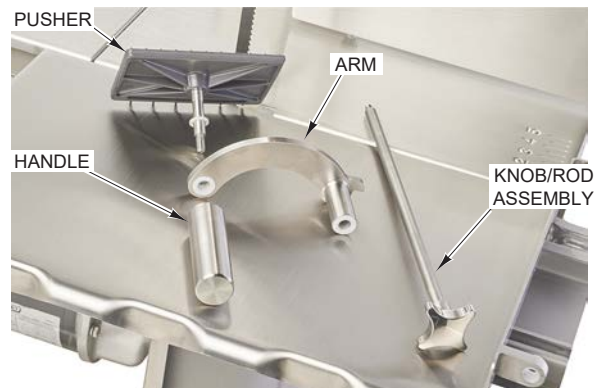


Fig. 14

## LOWER BLADE GUIDE

The lower blade guide assembly fits in the lower guide holder (Fig. 15). The blade fits in the slots of both the steel saw blade guide and the plastic guide. When the right table is removed and the plastic guide is hinged up, the lower blade guide assembly can be removed for cleaning by lifting it out of the lower guide holder.

The steel saw blade guide is available in various widths depending on the blade being used. Contact Hobart Service to change the steel saw blade guide for other blade widths.

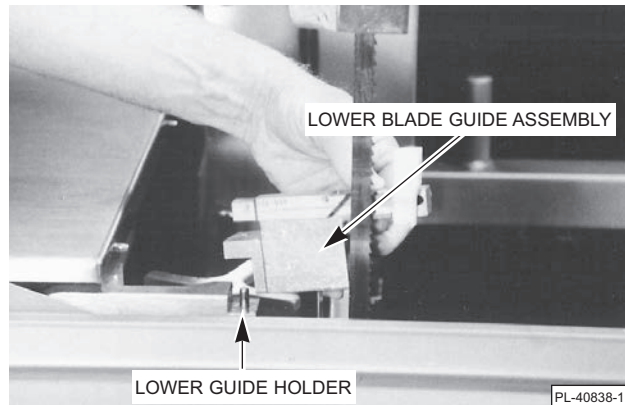


Fig. 15

## REMOVING THE BLADE

Remove the upper and lower pulley covers. Raise the gauge plate to its vertical position. Remove the right table by lifting its right side and sliding the table to the right to free it from the locating pins. Remove the column guard. Turn the tension adjuster counterclockwise until it stops (this will release tension on the blade by raising the lower pulley). Raise the plastic blade guide on the lower blade guide assembly and release the blade from the upper and lower blade guides. Free the blade from the blade scrapers in the lower pulley area and release it from the pulleys. Remove the blade.

Make sure the pulleys are properly installed and the pulleys are latched (Figs. 8 & 9). Install the new blade with the teeth on the cutting edge pointing to the right and down as you face the front of the saw. The blade must fit between the Vs on the blade scrapers in the slots of the upper and lower blade guides and must not touch any of the pulley flanges. The lower blade guide must be installed after the blade is installed. When the blade is in position, see **BLADE TENSION**, below, to adjust the tension properly. Refer to **LOWER BLADE GUIDE**, above, if the blade width of the new blade is different than the blade width of the old blade. Reinstall any removed parts.

## BLADE TENSION

After the blade has been installed, set the blade tension by turning the tension adjuster (Fig. 7) clockwise until it stops.

## ELECTRICAL CONNECTIONS

**⚠ WARNING** Electrical and grounding connections must comply with the applicable portions of the national electrical code and/or other local electrical codes.

**⚠ WARNING** Disconnect the electrical power to the machine and follow lockout/tagout procedures.

A  $\frac{7}{8}$ " diameter hole for  $\frac{1}{2}$ " trade size conduit is located at the upper rear of the column. Use watertight connections. Refer to the machine data plate and the wiring diagram located on the machine when making the electrical connection. Connect the electrical power supply leads to the pigtail leads; use copper wire rated at least 60°C for the connection.

### CHECK MOTOR ROTATION (THREE-PHASE MACHINES)

If the motor does not rotate so the teeth on the cutting edge of the saw blade run downward as you look at the cutting zone, correct the rotation using the following procedure:

**⚠ WARNING** Disconnect the electrical power to the machine and follow lockout/tagout procedures.

Interchange any two of the incoming power supply leads. Reconnect the power supply and turn the saw momentarily on and off to verify correct rotation.

### CONTROL BOX HEATER

The saw has a heater in the control box to keep the controls dry. The heater is automatically ON when the machine is electrically connected. The saw should be connected to the power supply EXCEPT when performing assembly, disassembly, cleaning, or maintenance on the saw.

### CLEAN SAW BEFORE USE

The saw must be thoroughly cleaned and sanitized after installation and before use. Refer to CLEANING, page 11.



# OPERATION

**⚠ WARNING** Safety devices incorporated in this saw must be in their correct positions at all times. Do not operate without covers and guards in place. Failure to follow these instructions may result in serious injury.

## SAFETY FEATURES

### Upper Guide and Guard Assembly

Before turning the saw on, position the upper guide and guard assembly by grasping the hand knob and sliding up or down so the cutting zone is only as high as necessary for the piece being cut. Always fully lower the upper guide and guard assembly when the saw is not in use.

### Doors, Covers, and Guards

All doors, covers, and column guards must be in their operating position (closed) while the machine is running.

### Pusher Plate

Always keep hands away from the blade and maintain control of the product. Use the pusher plate as described (page 10) to maintain a safe distance from the cutting edge of the saw blade.

## CONTROLS

Switch Knob      PULL turns the saw on.  
                            PUSH turns the saw off.

**NEVER LEAVE THE SAW UNATTENDED WHILE THE SAW IS RUNNING. ALWAYS TURN OFF THE SAW AND LOWER THE UPPER GUIDE AND GUARD ASSEMBLY WHEN THE SAW IS NOT IN USE.**

## SAWING

Place product on carriage. Position the upper guide and guard assembly and the gauge plate before starting the machine.

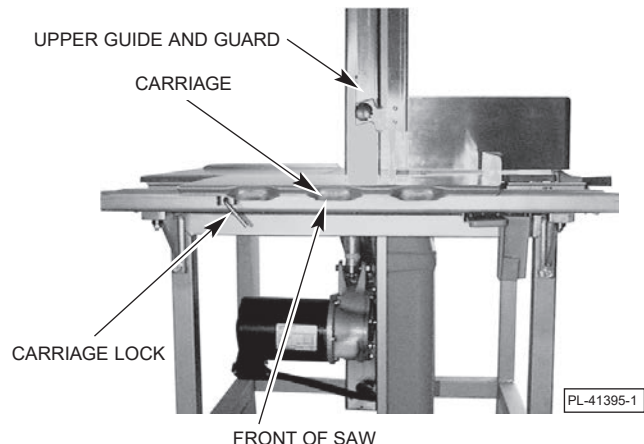
If using the traveling carriage . . .

Stand in front of machine. Lean lightly against the front of the carriage as you move the carriage to the left, passing the product through the blade at a steady and uniform rate.

Use your left hand to remove and stack cuts, always reaching behind the blade. **NEVER REACH ACROSS THE CUTTING EDGE OF THE BLADE.** Return the carriage to the right, pulling the product toward you and away from the blade.

If using the stationary carriage . . .

The carriage may be locked in a stationary position by pulling the spring-loaded carriage lock out, rotating it 90° and sliding the carriage until the lock engages (Fig. 16). To unlock the carriage, pull the carriage lock out and rotate it 90° so it rests on its bracket. When sawing with stationary table, observe the same safety procedure of reaching behind the blade when removing or stacking product. **NEVER REACH ACROSS THE CUTTING EDGE OF THE BLADE.**



**Fig. 16**

## GAUGE PLATE

When making several cuts of the same thickness (or when using the pusher plate), set the gauge plate as desired (Fig. 17) by pushing the lock lever and sliding the gauge plate to the thickness you want. A reference scale on the table indicates the thickness of cut. If the gauge plate is not needed, you may release the lock lever and move the gauge plate to the rear or raise the gauge plate to a vertical position to keep it out of the way.

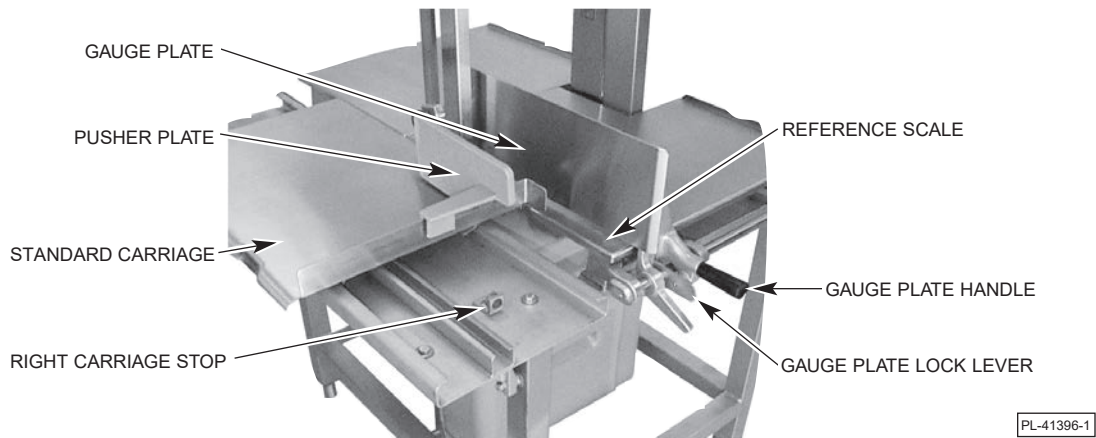


Fig. 17

## PUSHER PLATE — STANDARD CARRIAGE

The pusher plate is used to hold meat against the gauge plate when slicing small products or the last few cuts of a product. A slot in the pusher plate and a stop on the right "flanged-end" of the carriage is provided for proper positioning of the pusher plate (Fig. 17). Hold the pusher plate handle with your right hand and always maintain a safe distance from the blade. When not in use, keep the pusher plate under the carriage support (Fig. 3).

## PUSHER PLATE — INTEGRATED PUSHER CARRIAGE

The pusher plate is built into the carriage. Hold the pusher plate handle with your right hand and move the pusher plate along the rod while maintaining a safe distance from the blade (Fig. 18). The pusher plate can be stored in the parked position when not in use (Fig. 19).

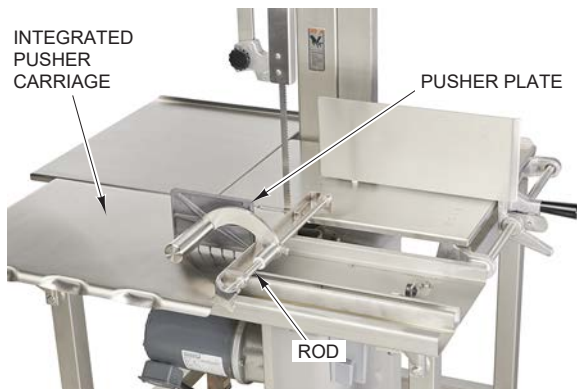


Fig. 18

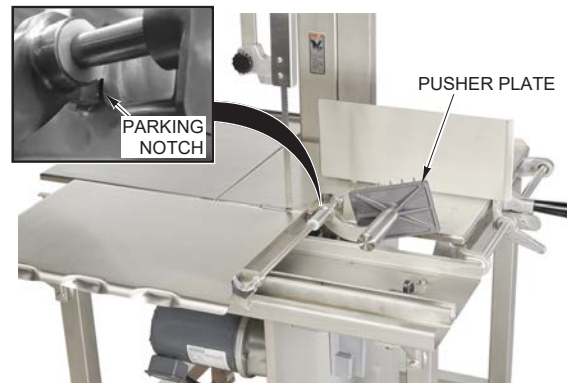


Fig. 19

# CLEANING

## CLEANING AND SANITIZING

**⚠ WARNING** Disconnect the electrical power to the machine and follow lockout/tagout procedures.

The saw must be thoroughly cleaned and sanitized:

- Before first use;
- After each day's operation;
- Anytime it is not to be used for an extended period of time; or
- Before being put into operation after an extended downtime.

The saw can be cleaned with high-pressure cleaning equipment (available from other suppliers) or it can be disassembled and its components cleaned in a sink. In either case, a neutral pH cleaning agent mixed per the supplier's instructions should be used. After washing, thoroughly sanitize, rinse, and dry the saw and all components.

Disassemble the following saw components to allow access to all areas for cleaning . . .

- Upper Pulley Cover
- Lower Cover (Scrap Pan)
- Tables — Right and Left-Hand
- Scrap Tray
- Pusher from Integrated Pusher Carriage
- Column Guard
- Carriage
- Pulley Wiper
- Blade Scrapers
- Lower Blade Guide Assembly
- Saw Blade
- Upper Guide and Guard Assembly (unscrew Hand Knob to disassemble)
- Upper and Lower Pulleys

If using High-Pressure Cleaning Equipment . . .

Scrape the machine and its components to remove any scrap particles before cleaning.

Thoroughly hose the saw and its components following the equipment supplier's instructions. Be sure to get the hose stream into all corners. Stubborn soil may require a little brushing.

If using Sink Cleaning . . .

Use a cloth or brush on base unit. Thoroughly wash, sanitize, rinse, and dry.

Before reassembly, a light coating of tasteless mineral oil should be applied to all metal surfaces. Lubricate the six ball bearings underneath the carriage with a small amount of mineral oil. Apply a few drops of mineral oil to the gauge plate slide rod and work the gauge plate assembly back and forth a few times. If the saw has the optional integrated pusher carriage, follow the same process for the integrated pusher slide rod.

Reassemble the saw components in reverse order of disassembly making sure all parts are properly assembled.

## Reconnect Electrical Power Supply

The saw has a heater in the control box to keep the controls dry. The heater is automatically ON when the machine is electrically connected. The saw should be connected to the power supply EXCEPT when performing assembly, disassembly, cleaning, or maintenance on the saw.

# MAINTENANCE

**⚠ WARNING** Disconnect the electrical power to the machine and follow lockout/tagout procedures.

## LUBRICATION

The motor has permanently lubricated ball bearings and requires no additional lubrication.

The slide bar for the upper guide and guard assembly also requires no lubrication.

After cleaning, apply a small amount of mineral oil to the six ball bearing rollers underneath the carriage, to the gauge plate slide rod, and to the pulley shafts.

## SLIDE BAR ADJUSTMENT

**NOTE:** The slide bar must be free to move up and down without binding, but must stay in any position that it is moved to.

1. Loosen the two set screws on the side of the slide bar housing (Fig. 20).
2. Remove the two hole plugs (Fig. 20) on the front of the slide bar housing.
3. Unscrew the two screws in the front of the slide bar housing (Fig. 21).
4. Raise the slide bar and slowly tighten the two side set screws (Fig. 20) until the slide bar is just held in place.
5. Tighten the two front screws (Fig. 21).
6. Check for free up and down movement of the slide bar and that it stays in any position it is moved to. Repeat steps 1 and 3 thru 6 as required.
7. Reinstall the hole plugs (Fig. 20).

## CHANGING SAW BLADES

If changing saw blades, disassemble components as described in REMOVING THE BLADE, page 7, and the instructions for any component throughout the manual. Make sure wipers, scrapers, and all other components are properly reassembled. Refer to BLADE TENSION, page 7. Refer to LOWER BLADE GUIDE, page 7.

## SERVICE

Contact your local Hobart Service Office for any repairs or adjustments needed on this equipment.

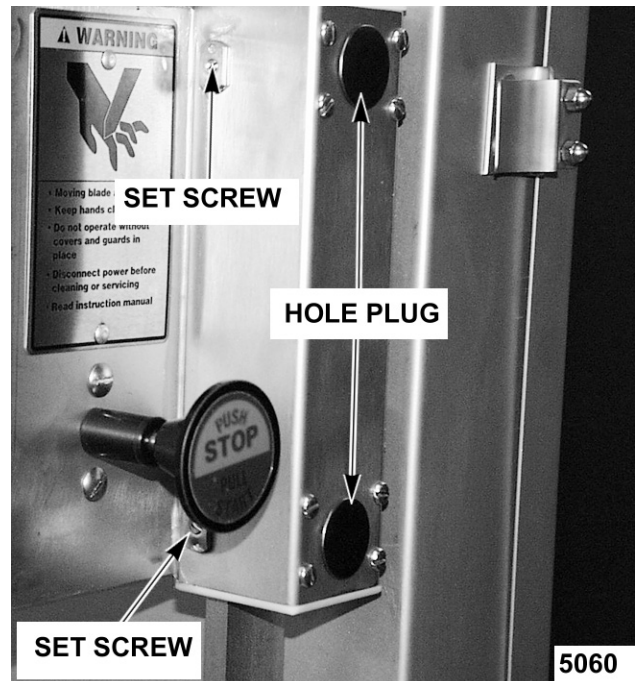


Fig. 20



Fig. 21

# INSTRUCTIONS

## SCIE À VIANDE MODÈLE 6801/6614

### MODÈLE

6801                      ML-141167

6614                      ML-141220



701 S. RIDGE AVENUE  
TROY, OHIO 45373

937 332-3000

[www.hobartcorp.com](http://www.hobartcorp.com)

FORMULAIRE 48152 (mai 2021)

# Installation, utilisation et entretien des SCIES À VIANDE, MODÈLE 6801/6614

## LISEZ LES INSTRUCTIONS AVANT D'UTILISER LA SCIE

### CONSERVEZ CES INSTRUCTIONS

## RENSEIGNEMENTS GÉNÉRAUX

La scie à viande 6801/6614 est robuste, durable et facile à nettoyer. La scie est équipée d'un moteur électrique 3 HP résistant à l'eau et d'un entraînement direct par engrenages. Le chariot (fig. 1) comporte de roulements à billes en acier inoxydable facilitant les déplacements de manière fiable. Le bord avant profilé du chariot est confortable pour le corps de l'utilisateur même lorsqu'il est appuyé contre le bord pendant le mouvement du chariot. Le loquet du chariot est une mesure de sécurité standard.

La table, le chariot, les poulies, les guide-lame et l'essuie-poulie peuvent être retirés rapidement sans outils pour faciliter le nettoyage. Les pièces mobiles se trouvent dans un espace clos, mais accessibles. La lame comporte un protège-lame au-dessus et au-dessous de la zone de coupe. Un pousse-produit élimine le besoin d'approcher les mains trop près de la lame. Sur le chariot standard, le pousse-produit peut être placé sur l'« extrémité à rebord » droit du chariot, de sorte que vos mains se trouvent à l'écart du bord tranchant de la lame. Le chariot de poussée intégré en option comprend un pousse-produit intégré qui coulisse le long d'une tige sur le côté droit du chariot et offre la même fonctionnalité. Le pousse-produit peut être maintenu immobile pendant l'utilisation du chariot en utilisant l'encoche de position stationnaire. Le pousse-produit intégré peut être retiré du chariot pour le nettoyage ou nettoyé avec le chariot au l'évier.

Pour les caractéristiques électriques supérieures à 250 V, un transformateur est utilisé pour fournir une tension de 115 V protégée par un disjoncteur. La protection contre les surcharges thermiques est une option.

Une lame à longue durée de vie est fournie avec chaque scie comme équipement standard. Cette lame ne peut pas être réaffûtée. Des lames de rechange sont disponibles auprès de votre bureau de service local Hobart.

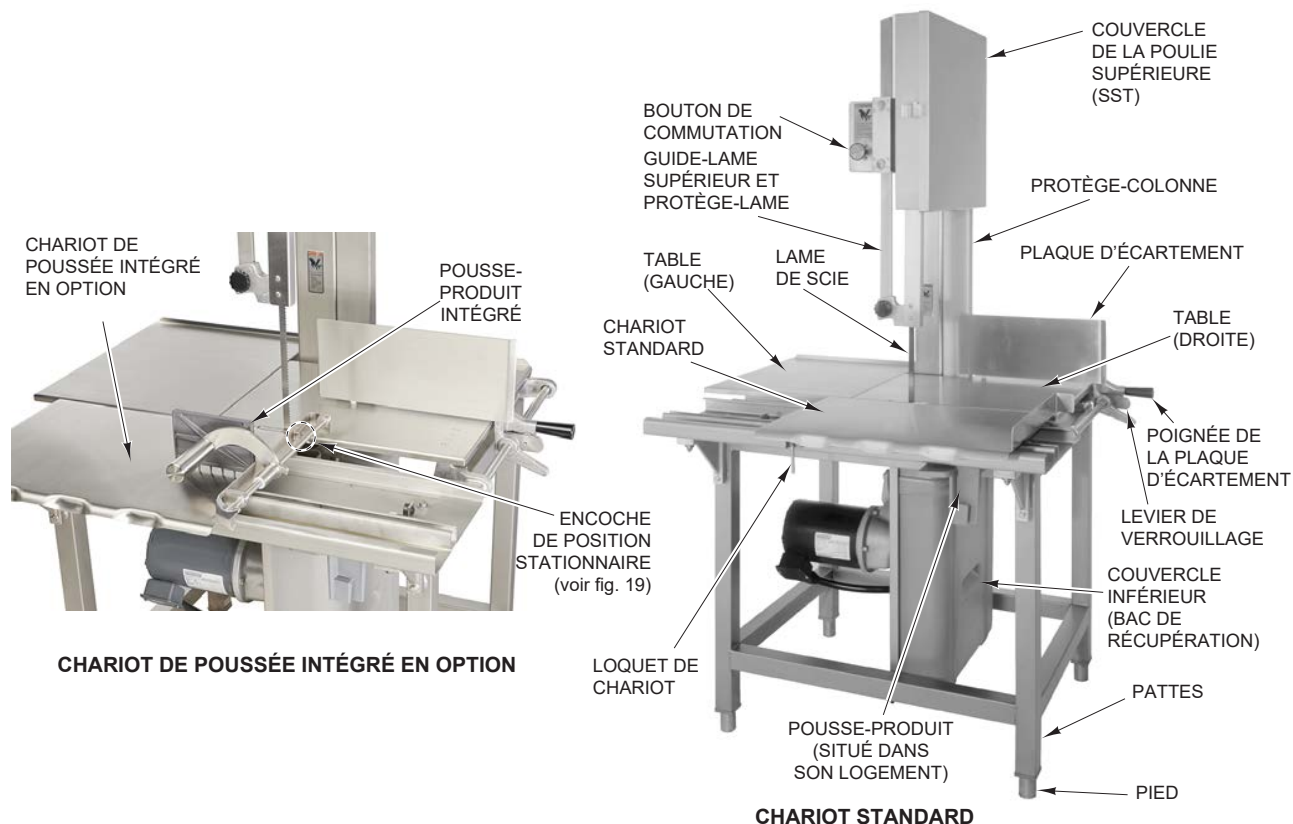


Fig. 1

# INSTALLATION

## DÉBALLAGE ET ASSEMBLAGE

Cette scie a été inspectée avant de quitter l'usine. La société de transport assume l'entière responsabilité de la livraison en bon état du fait de l'acceptation de l'expédition. Inspectez la scie à viande dès sa réception pour des bris dus au transport.

Si vous constatez que la scie à viande est endommagée, procédez comme suit :

1. La société de transport doit être notifiée dans les cinq jours ouvrables suivant la réception du robot culinaire.
2. La société de transport doit être notifiée immédiatement une fois le dommage constaté (notez l'heure, la date et la personne de contact), et faites un suivi de la notification et confirmez-la au moyen de communication écrite ou électronique.
3. Tous les matériaux d'emballage originaux doivent être conservés aux fins d'inspection.
4. La scie à viande ne peut pas avoir été déplacée, installée ou modifiée.
5. Communiquez avec le service à la clientèle de Hobart au 1 800 333-7447.



Fig. 2

Avant l'installation, vérifiez que le service électrique est conforme avec les spécifications sur la plaque signalétique de la machine (fig. 2) située sur la colonne.

Le pousse-produit, lorsqu'un chariot standard est fourni, et la poignée de la plaque d'écartement sont emballés dans un paquet attaché au compartiment de la table. Placez le pousse-produit dans son emplacement de rangement sous le support du chariot (fig. 3). Assemblez la poignée de la plaque d'écartement à son support en vissant le goujon dans le trou fileté (fig. 4).

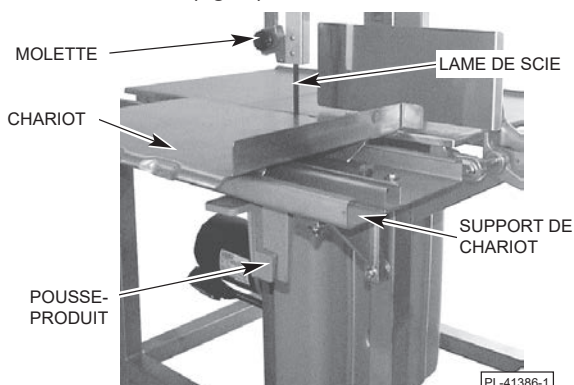


Fig. 3

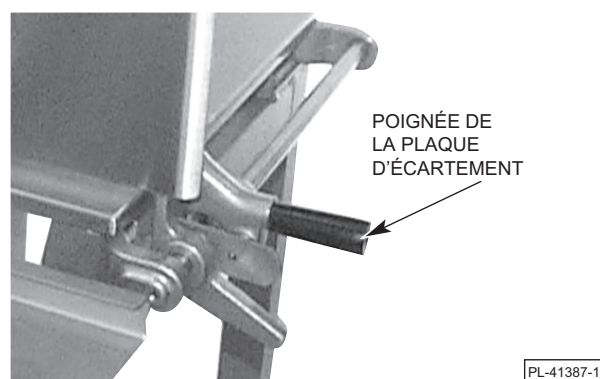


Fig. 4

## NIVELLEMENT

Installez la scie à viande à son emplacement d'utilisation. À l'aide d'un niveau à bulle, mettez la scie à niveau de l'avant à l'arrière et d'un côté à l'autre en tournant les pieds filetés vers l'intérieur ou l'extérieur. Le pied cessera de tourner lorsqu'il aura atteint sa hauteur de réglage maximale.

**⚠ AVERTISSEMENT** Débranchez l'alimentation électrique de la machine et suivez les procédures de verrouillage et d'étiquetage.

## LAME DE SCIE

La lame de scie doit être installée de manière à ce que les dents du bord tranchant soient orientées vers la droite et vers le bas (fig. 5).

## ENSEMBLE DE GUIDE-LAME SUPÉRIEUR ET PROTÈGE-LAME

Lorsque la scie est arrêtée, la molette (fig. 5) peut être utilisée pour positionner l'ensemble de guide-lame supérieur et protège-lame afin que la zone de coupe ne soit aussi haute que nécessaire pour la pièce à couper. La molette n'est pas desserrée pendant la montée ou la descente – elle doit rester fermement serrée.

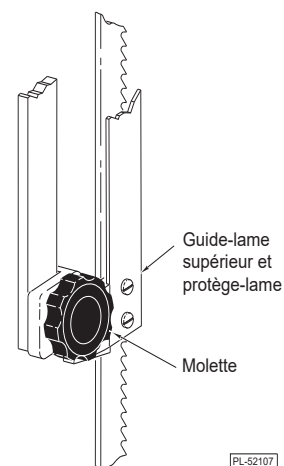


Fig. 5

## PROTÈGE-COLONNE

Le protège-colonne (fig. 6) recouvre le retour de la lame en mouvement et doit toujours rester en place pendant le sciage. Pour retirer le protège-colonne pour le nettoyage ou le changement de lame, commencez par retirer la table droite et le couvercle de la poulie supérieure. Vous voudrez peut-être aussi retirer le couvercle inférieur. Soulevez ensuite le protège-colonne pour le dégager des deux têtes de vis à épaulement du protège-colonne auxquelles il est suspendu.

## TABLES — DROITE ET GAUCHE

Pendant l'utilisation de la scie, les tables droite et gauche (fig. 6) sont fixées en dessous par des goupilles et des pinces. Pour retirer les tables pour les nettoyer : relevez la plaque d'écartement en position verticale; levez le côté droit de la table droite; et retirez la table des deux goupilles. Une fois la table droite retirée, vous pouvez également retirer la table gauche : levez le côté gauche de la table gauche et déplacez la table vers la droite pour la dégager des deux goupilles.

## COUVERCLE DE LA POULIE SUPÉRIEURE

Le couvercle de la poulie supérieure en acier inoxydable (fig. 6) doit être installé sur les deux axes de charnière du déflecteur de la poulie supérieure en acier inoxydable et doit être bien verrouillé pendant l'utilisation de la scie. Pour retirer le couvercle de la poulie supérieure en acier inoxydable à des fins de nettoyage, déverrouillez et ouvrez le couvercle de la poulie supérieure en acier inoxydable; puis, soulevez-le et retirez-le des axes de charnière.

## COUVERCLE INFÉRIEUR (BAC DE RÉCUPÉRATION)

Pendant l'utilisation de la machine, le couvercle inférieur (fig. 6) sert de bac de récupération, accumulant la poussière et les débris osseux des racloirs de lame et de l'essuie-poulie situés sur le panneau inférieur (fig. 7). Pour retirer le couvercle inférieur (bac de récupération) pour le nettoyer, déclenchez la pince située en haut; tirez et levez le couvercle inférieur de la rainure au bas du panneau inférieur.

## RACLOIRS DE LAME

Deux racloirs de lame essuient la lame pendant le sciage pour la collecte de poussière et débris osseux à l'intérieur du couvercle inférieur (bac à restes alimentaires). Le racloir avant est orienté vers le haut et le racloir arrière est orienté vers le bas (fig. 7). Une fois la lame retirée, les racloirs peuvent être retirés en les faisant coulisser de leurs blocs de montage aux fins de nettoyage.

## ESSUIE-POULIE

L'essuie-poulie (fig. 7) enlève la poussière et les débris osseux de la poulie inférieure pendant l'utilisation de la scie. L'essuie-poulie peut être retiré pour le nettoyage en le retirant vers le haut et en le faisant coulisser hors des goupilles.

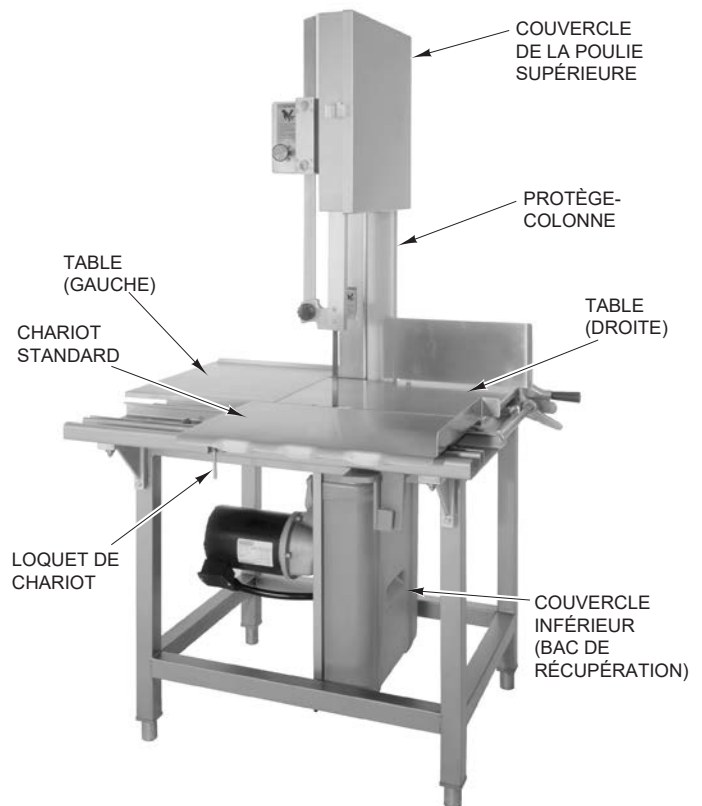


Fig. 6

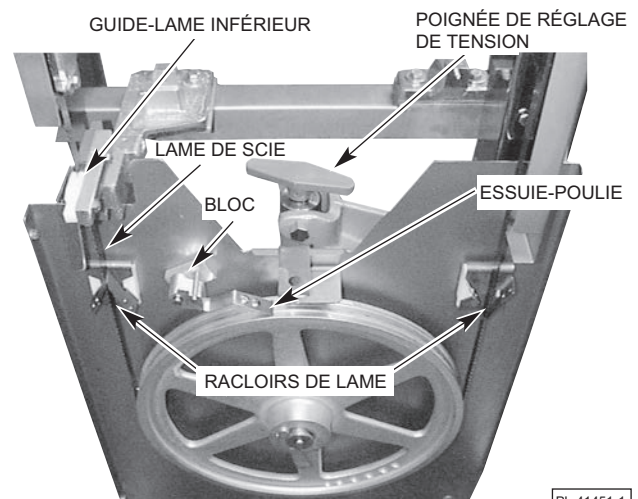


Fig. 7



## POULIE INFÉRIEURE

La poulie inférieure est assemblée sur l'arbre de la poulie inférieure. Le loquet de la poulie inférieure doit être inséré dans la rainure de l'arbre de la poulie (fig. 8). La poulie inférieure peut être retirée une fois que la lame a été desserrée et retirée et que le loquet de la poulie inférieure est sorti de la rainure de l'arbre de la poulie inférieure.

## POULIE SUPÉRIEURE

La poulie supérieure est assemblée sur l'arbre de la poulie supérieure. Le dispositif de retenue rond sur l'arbre de la poulie supérieure doit être décentré quand il est verrouillé (fig. 9). La poulie supérieure peut être retirée une fois que la lame a été desserrée et retirée et que le dispositif de retenue rond est déplacé vers le centre de l'arbre de la poulie supérieure.

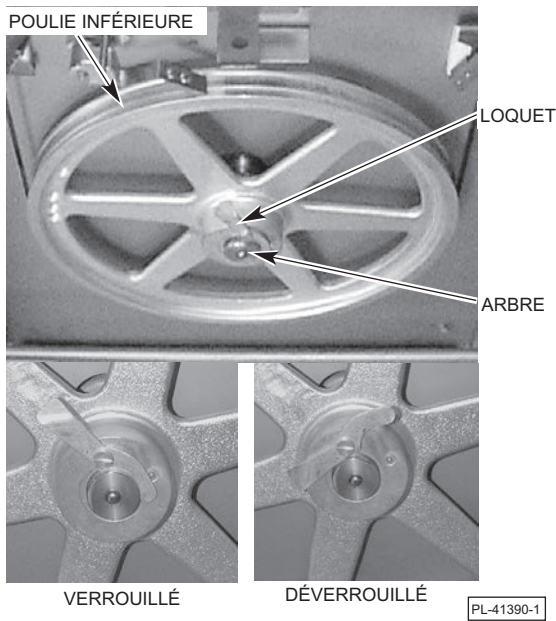


Fig. 8

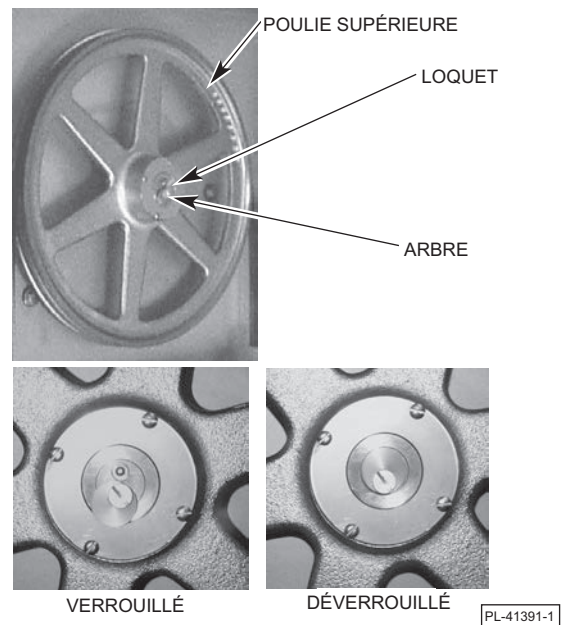


Fig. 9

## BAC DE RÉCUPÉRATION

Lors de l'utilisation de la scie, le bac de récupération doit être installé entre la table de gauche et le support du chariot (fig. 10). Le bac de récupération se glisse en place et repose sur le cadre entre le support de chariot et la table. Le côté incliné du bac à récupération est situé le plus près de la lame.

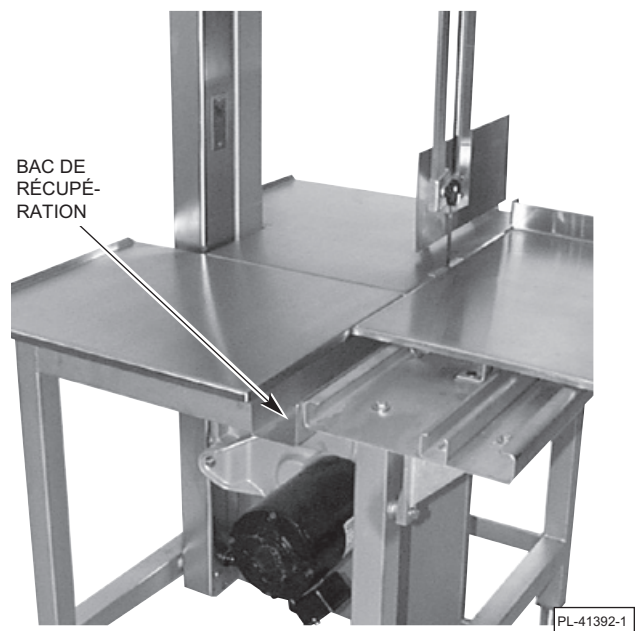


Fig. 10

## CHARIOT — POUSSE-PRODUIT STANDARD OU INTÉGRÉ

Pendant son utilisation, le chariot peut faire des va-et-vient entre la butée de chariot gauche (fig. 11) et la butée de chariot droite, en supposant que le loquet à ressort du chariot (fig. 6) n'a pas verrouillé le chariot en position fixe.

Pour retirer le chariot, tournez l'une des butées de chariot de 90 degrés de sorte que le butoir se trouve à l'arrière (fig. 12). Faites rouler le chariot vers l'une des extrémités pour le sortir en le soulevant pour le dégager de la structure de support du chariot (fig. 11).

Pour réinstaller le chariot, tenez le chariot de sorte que les roulements (en dessous) soient alignés avec la structure de support du chariot. Roulez le chariot en place. Remettez les butées de chariot en place de manière à ce que le chariot soit arrêté aux deux extrémités.

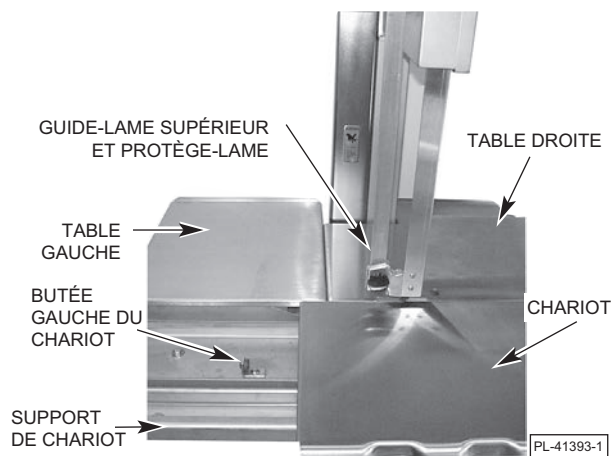


Fig. 11

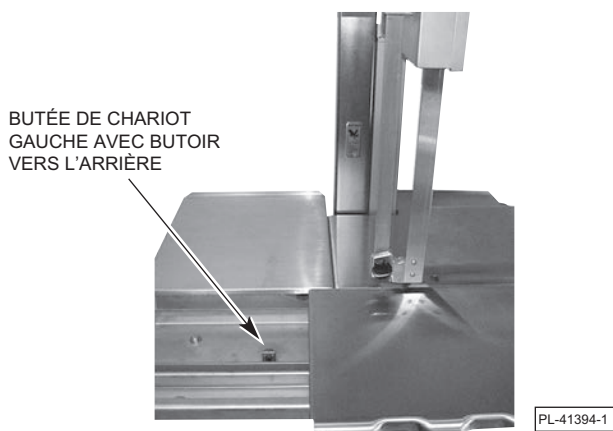


Fig. 12

## CHARIOT DE POUSSÉE INTÉGRÉ

Pour faciliter le nettoyage, le pousse-produit peut être retiré du chariot de poussée intégré en dévissant la molette et en tirant l'ensemble molette/tige hors du bras du pousse-produit. La poignée et le pousse-produit peuvent également être retirés du bras en dévissant la poignée. Consultez la figure 13 pour voir les composants assemblés et la figure 14 pour voir les composants désassemblés du chariot de poussée intégré. Remettez le pousse-produit sur le chariot de poussée intégré après le nettoyage.

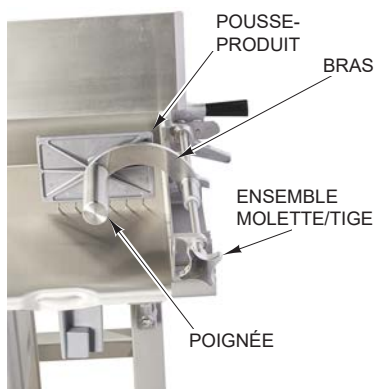


Fig. 13

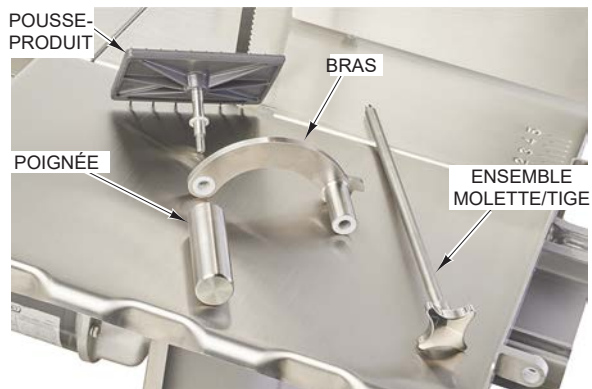


Fig. 14

## GUIDE-LAME INFÉRIEUR

Le guide-lame inférieur se loge sur la tige pour guide-lame inférieur (fig. 15). La lame s'insère dans les fentes du guide-lame en acier et du guide-lame en plastique. Lorsque la table droite est retirée et que le guide-lame en plastique est articulé vers le haut, vous pouvez retirer le guide-lame inférieur pour le nettoyer en le soulevant hors du support de guide-lame inférieur.

Le guide-lame de scie en acier est disponible en différentes largeurs en fonction de la lame utilisée. Contactez le service après-vente Hobart pour remplacer le guide-lame en acier pour d'autres lames de largeur différente.

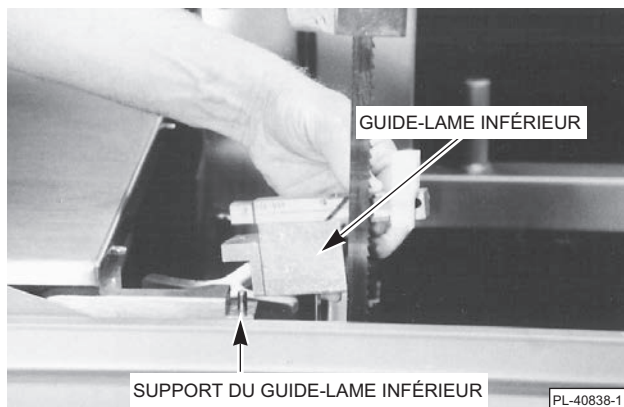


Fig. 15

## RETRAIT DE LA LAME

Retirez les couvercles des poulies supérieure et inférieure. Levez la plaque d'écartement pour la placer en position verticale. Retirez la table droite en soulevant son côté droit et en la faisant glisser vers la droite pour la dégager des goupilles de positionnement. Retirez le protège-colonne. Tournez la poignée de réglage de tension dans le sens antihoraire jusqu'en butée (ceci réduira la tension sur la lame en relevant la poulie inférieure). Levez le guide-lame en plastique sur le guide-lame inférieur et dégagez la lame des guide-lame supérieur et inférieur. Dégagez la lame des raclors de lame situés dans la zone de la poulie inférieure et retirez-la des poulies. Retirez la lame.

Assurez-vous que les poulies sont correctement installées et que les poulies sont verrouillées (fig. 8 et 9). Installez la nouvelle lame avec les dents sur le bord tranchant orientées vers la droite et vers le bas lorsque vous faites face à l'avant de la scie. La lame doit être logée entre les V sur les raclors de lame dans les fentes des guide-lame supérieur et inférieur et ne doit toucher aucune des flasques de poulie. Le guide-lame inférieur doit être installé après l'installation de la lame. Une fois la lame en position, reportez-vous à la section TENSION DE LA LAME ci-dessous pour régler correctement la tension. Reportez-vous à la section GUIDE-LAME INFÉRIEUR ci-dessus si la largeur de la nouvelle lame est différente de celle de l'ancienne lame. Réinstallez toutes les pièces retirées.

## TENSION DE LA LAME

Une fois la lame installée, réglez la tension de la lame en tournant la poignée de réglage de tension (Fig. 7) dans le sens horaire jusqu'en butée.

## RACCORDEMENTS ÉLECTRIQUES

**⚠ AVERTISSEMENT** Les raccordements électriques et de mise à la terre doivent être conformes aux parties pertinentes du National Electrical Code ou autres codes électriques locaux.

**⚠ AVERTISSEMENT** Débranchez l'alimentation électrique de la machine et suivez les procédures de verrouillage et d'étiquetage.

Un trou de diamètre de  $\frac{7}{8}$  po pour le conduit de taille commerciale de  $\frac{1}{2}$  po est situé sur la partie supérieure arrière de la colonne. Assurez-vous que les points de connexions sont étanches. Reportez-vous à la plaque signalétique de la machine et au schéma de câblage situé sur la machine lors du raccordement électrique. Connectez les fils d'alimentation électrique aux fils en queue de cochon; utilisez un fil de cuivre de calibre de 60 °C minimum pour effectuer le raccordement.

### VÉRIFIER LA ROTATION DU MOTEUR (MACHINES TRIPHASÉES)

Si le moteur ne tourne pas de sorte que les dents du bord tranchant de la lame de scie se déplacent en descendance lorsque vous regardez la zone de coupe, corrigez la rotation en procédant comme suit :

**⚠ AVERTISSEMENT** Débranchez l'alimentation électrique de la machine et suivez les procédures de verrouillage et d'étiquetage.

Échangez deux des fils d'alimentation entrants. Rebranchez l'alimentation électrique, puis démarrez et arrêtez brièvement la scie pour vérifier la bonne orientation.

### ÉLÉMENT CHAUFFANT DU BOÎTIER DE COMMANDE

La scie comporte un élément chauffant dans le boîtier de commande pour maintenir les commandes au sec. L'élément chauffant est automatiquement allumé lorsque la machine est connectée électriquement. La scie doit être connectée à l'alimentation électrique SAUF lors de l'assemblage, du démontage, du nettoyage ou de l'entretien de la scie.

### NETTOYER LA SCIE AVANT DE L'UTILISER

La scie doit être soigneusement nettoyée et désinfectée après l'installation et avant d'être utilisée. Reportez-vous à la section NETTOYAGE à la page 11.

# UTILISATION

**⚠ AVERTISSEMENT** Les dispositifs de sécurité incorporés dans cette scie doivent être dans la bonne position à tout moment. N'utilisez pas la scie sans couvercles et dispositifs de protection en place. Le non-respect de ces instructions peut entraîner des blessures graves.

## CARACTÉRISTIQUES DE SÉCURITÉ

### Ensemble de guide-lame supérieur et protège-lame

Avant de mettre la scie en marche, positionnez l'ensemble de guide-lame supérieur et protège-lame en saisissant la molette et en la glissant vers le haut ou le bas, de sorte que la zone de coupe ne soit aussi haute que nécessaire pour la pièce à couper. Abaissez toujours complètement l'ensemble de guide-lame supérieur et protège-lame lorsque la scie n'est pas utilisée.

### Portes, couvercles et dispositifs de protection

Les portes, les couvercles et le protège-colonne doivent se trouver tous en position de fonctionnement (position fermée) pendant l'utilisation de la scie.

### Pousse-produit

Gardez toujours les mains éloignées de la lame et tenez bien le produit à couper. Utilisez le pousse-produit comme décrit (page 10) pour maintenir une distance de sécurité du bord tranchant de la lame de scie.

## COMMANDES

Bouton de commutation    TIRER sur le bouton allume la scie.  
  POUSSER sur le bouton éteint la scie.

**NE LAISSEZ JAMAIS LA SCIE SANS SURVEILLANCE PENDANT QUE LA SCIE EST EN MARCHÉ. ABAISSEZ TOUJOURS COMPLÈTEMENT L'ENSEMBLE DE GUIDE-LAME SUPÉRIEUR ET PROTÈGE-LAME LORSQUE LA SCIE N'EST PAS UTILISÉE.**

## SCIAGE

Placez le produit sur le chariot. Positionnez l'ensemble de guide-lame supérieur et protège-lame et la plaque d'écartement avant de démarrer la machine.

Si vous utilisez le chariot de déplacement...

Tenez-vous debout devant la machine. Appuyez légèrement sur l'avant du chariot lorsque vous déplacez le chariot vers la gauche, en faisant passer le produit à travers la lame à un rythme régulier et uniforme.

Servez-vous de votre main gauche pour enlever et empiler les coupes, toujours derrière la lame. **NE PASSEZ JAMAIS VOTRE MAIN EN AVANT DU BORD DE COUPE DE LA LAME.** Retournez le chariot vers la droite en tirant le produit vers vous et en l'éloignant de la lame.

Si vous utilisez le chariot stationnaire...

Le chariot peut être verrouillé en position fixe en tirant sur le loquet à ressort du chariot, en le tournant de 90° et en faisant glisser le chariot jusqu'à ce que le loquet s'enclenche (fig. 16). Pour déverrouiller le chariot, tirez sur le loquet du chariot et faites-le pivoter de 90° de manière à ce qu'il repose sur son support. Lorsque vous sciez avec une table fixe, respectez la même procédure de sécurité lorsque vous retirez ou empilez le produit derrière la lame. **NE PASSEZ JAMAIS VOTRE MAIN EN AVANT DU BORD DE COUPE DE LA LAME.**

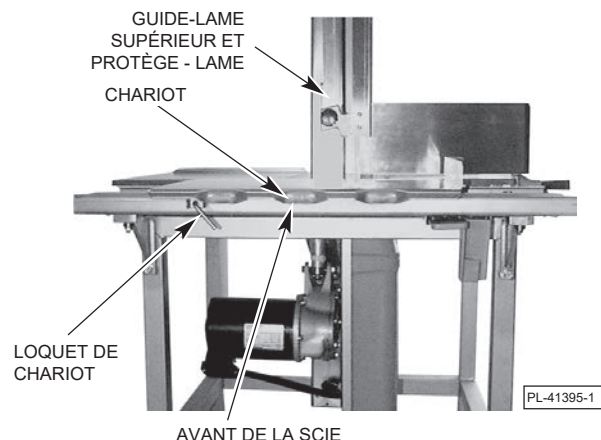


Fig. 16

## PLAQUE D'ÉCARTEMENT

Lorsque vous effectuez plusieurs coupes de la même épaisseur (ou lorsque vous utilisez le pousse-produit), réglez la plaque d'écartement à votre guise (fig. 17) en poussant le levier de verrouillage et en faisant glisser la plaque d'écartement à l'épaisseur souhaitée. L'échelle de référence sur la table indique l'épaisseur de coupe. Si la plaque d'écartement n'est pas nécessaire, vous pouvez relâcher le levier de verrouillage et déplacer la plaque d'écartement vers l'arrière ou élever la plaque d'écartement en position verticale pour la garder à l'écart.

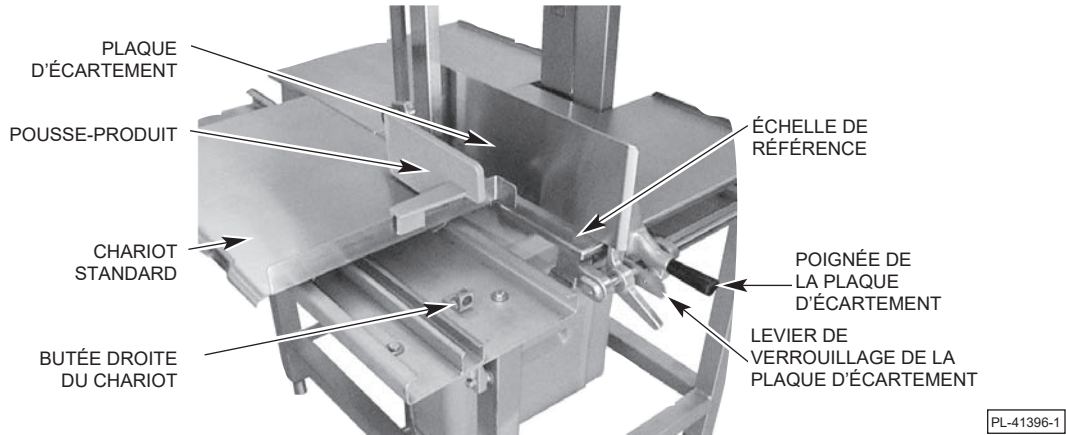


Fig. 17

## POUSSE-PRODUIT — CHARIOT STANDARD

Le pousse-produit sert à maintenir la viande contre la plaque d'écartement lors de la coupe de petits produits ou des dernières coupes d'un produit. Une fente dans le pousse-produit et une butée sur l'« extrémité à rebord » droit du chariot sont prévues pour positionner fermement le pousse-produit (fig. 17). Tenez la poignée du pousse-produit de la main droite et tenez-vous toujours à une distance de sécurité de la lame. Lorsque vous ne l'utilisez pas, gardez le pousse-produit sous le support du chariot (fig. 3).

## POUSSE-PRODUIT — CHARIOT DE POUSSÉE INTÉGRÉ

Le pousse-produit est intégré au chariot. Tenez la poignée du pousse-produit de la main droite et déplacez le pousse-produit le long de la tige tout en maintenant une distance de sécurité de la lame (fig. 18). Le pousse-produit peut être rangé en position stationnaire lorsqu'il n'est pas utilisé (fig. 19).

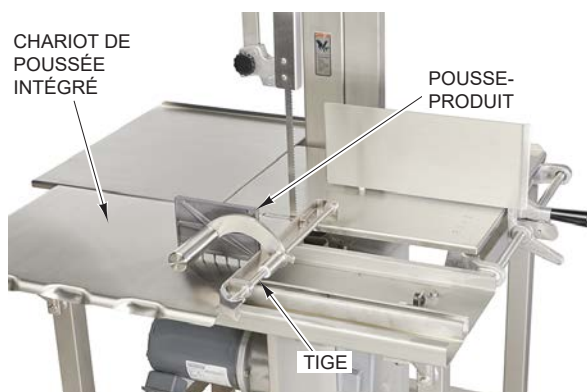


Fig. 18

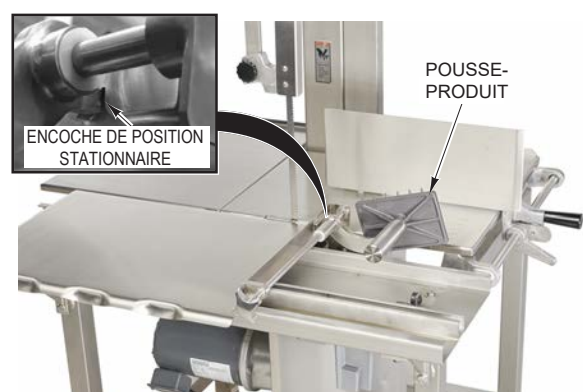


Fig. 19

# NETTOYAGE

## NETTOYAGE ET DÉSINFECTION

**⚠ AVERTISSEMENT** Débranchez l'alimentation électrique de la machine et suivez les procédures de verrouillage et d'étiquetage.

La scie doit être nettoyée et désinfectée à fond :

Avant la première utilisation :

Après chaque jour d'utilisation;

À tout moment il ne sera pas utilisé pendant une période prolongée; ou

Avant d'être mis en service après un temps d'arrêt prolongé.

La scie peut être nettoyée avec un équipement de nettoyage à haute pression (disponible auprès d'autres fournisseurs) ou elle peut être désassemblée et ses composants nettoyés dans un évier. Dans les deux cas, utilisez un agent nettoyant à pH neutre mélangé selon les instructions du fournisseur. Après le lavage, désinfectez, rincez et séchez soigneusement la scie et tous ses composants.

Désassemblez les composants de scie mentionnés ci-dessous pour permettre l'accès à toutes les zones pour effectuer le nettoyage...

- Couvercle de poulie supérieur
- Couvercle inférieur (bac de récupération)
- Tables — droite et gauche
- Bac de récupération
- Pousse-produit du chariot de poussée intégré
- Protège-colonne
- Chariot
- Essuie-poulie
- Racloirs de lame
- Guide-lame inférieur
- Lame de scie
- Ensemble de guide-lame supérieur et protège-lame (dévissez la molette pour désassembler)
- Poulies supérieure et inférieure

Si vous utilisez un équipement de nettoyage à haute pression...

Enlevez les restes alimentaires de la machine et de ses composants avant d'effectuer le nettoyage.

Utilisez l'équipement haute pression sur la scie et ses composants en suivant les instructions du fournisseur de l'équipement. Assurez-vous de pulvériser l'eau du tuyau dans tous les coins. De la saleté tenace nécessite un peu de brossage.

Si vous utilisez un évier pour nettoyer...

Utilisez un chiffon ou une brosse sur la base. Lavez, désinfectez, rincez et séchez le tout à fond.

Avant de réassembler les composants, une légère couche d'huile minérale insipide doit être appliquée sur toutes les surfaces métalliques. Lubrifiez les six roulements à billes situés sous le chariot avec une petite quantité d'huile minérale. Appliquez quelques gouttes d'huile minérale sur la tige coulissante de la plaque d'écartement et faites-la coulisser plusieurs fois. Si la scie est équipée du chariot de poussée intégré en option, suivez la même procédure pour la tige coulissante du pousse-produit intégré.

Réassemblez les composants de la scie dans l'ordre inverse du désassemblage en veillant à ce que toutes les pièces soient correctement assemblées.

### Rebrancher l'alimentation électrique

La scie comporte un élément chauffant dans le boîtier de commande pour maintenir les commandes au sec. L'élément chauffant est automatiquement allumé lorsque la machine est connectée électriquement. La scie doit être connectée à l'alimentation électrique SAUF lors de l'assemblage, du démontage, du nettoyage ou de l'entretien de la scie.

# ENTRETIEN

**AVERTISSEMENT** Débranchez l'alimentation électrique de la machine et suivez les procédures de verrouillage et d'étiquetage.

## LUBRIFICATION

Le moteur comporte des roulements à billes lubrifiés en permanence et ne nécessite aucune lubrification supplémentaire.

La barre coulissante pour l'ensemble de guide-lame supérieur et protège-lame ne requiert aucune lubrification.

Après le nettoyage, appliquez une petite quantité d'huile minérale sur les six rouleaux à roulement à billes situés sous le chariot, sur la tige coulissante de la plaque d'écartement et sur les arbres de la poulie.

## RÉGLAGE DE LA BARRE COULISSANTE

**REMARQUE :** La barre coulissante doit être libre de monter et descendre sans contrainte, mais doit rester dans la position dans laquelle elle est placée.

1. Desserrez les deux vis de réglage situées sur le côté du boîtier de la barre coulissante (fig. 20).
2. Retirez les deux bouchons à trous (fig. 20) situés à l'avant du boîtier de la barre coulissante.
3. Desserrez les deux vis situées sur le boîtier de la barre coulissante (fig. 21).
4. Relevez la barre coulissante et serrez lentement les deux vis de réglage latérales (fig. 20) jusqu'à ce que la barre coulissante soit simplement maintenue en place.
5. Serrez les deux vis avant (fig. 21).
6. Vérifiez le déplacement libre vers le haut et vers le bas de la barre coulissante et qu'elle reste en position dans laquelle elle est placée. Répétez les étapes 1 et 3 jusqu'à 6, selon les besoins.
7. Réinstallez les bouchons de trou (fig. 20).

## REMPACEMENT DE LA LAME DE SCIE

Si vous devez remplacer la lame de scie, désassemblez les composants comme indiqué à la section RETRAIT DE LA LAME, page 7, et dans les instructions relatives à chaque composant de ce manuel. Assurez-vous que les essuie-poulies, les racloirs et tous les autres composants sont correctement réassemblés. Reportez-vous à la section TENSION DE LA LAME, page 7. Reportez-vous à la section GUIDE-LAME INFÉRIEUR, page 7.

## ENTRETIEN

Contactez le bureau de service Hobart local pour les réparations ou les ajustements nécessaires sur cet équipement.

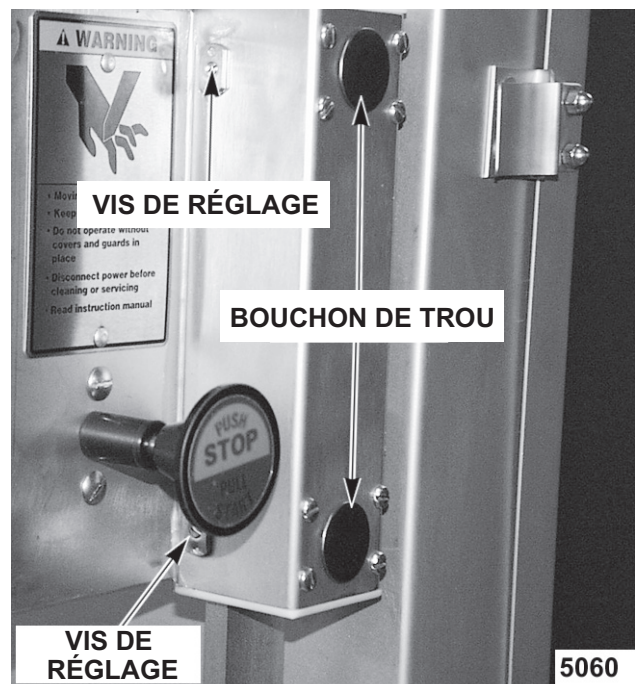


Fig. 20



Fig. 21



# INSTRUCCIONES

## SIERRA PARA CARNE MODELO 6801/6614

### MODELO

6801                    ML-141167

6614                    ML-141220



701 S. RIDGE AVENUE  
TROY, OHIO 45373

937 332-3000

[www.hobartcorp.com](http://www.hobartcorp.com)

FORMULARIO 48152 (mayo de 2021)

# Instalación, operación y cuidado de la SIERRA PARA CARNE MODELO 6801/6614

LEA LAS INSTRUCCIONES ANTES DE USAR LA SIERRA  
CONSERVE ESTAS INSTRUCCIONES

## GENERAL

La sierra para carne 6801/6614 es resistente, duradera y fácil de limpiar. La sierra está equipada con un motor eléctrico de 3 HP resistente al agua y transmisión por engranaje directa. El carro (Fig. 1) posee cojinetes de bolas de acero inoxidable que proporcionan un desplazamiento fácil y confiabilidad. El borde delantero moldeado del carro es cómodo para el cuerpo del operador, incluso cuando se inclina durante el movimiento. El bloqueo del carro es estándar.

Los conjuntos de mesón, carro, poleas, guías y limpiador se pueden retirar rápidamente sin herramientas para facilitar su limpieza. Las piezas móviles están cerradas, pero se puede acceder a ellas. La hoja está protegida arriba y abajo de la zona de corte. La placa empujadora se proporciona para eliminar la necesidad de manipular elementos cerca de la hoja. En el carro estándar, el empujador puede deslizarse sobre el "extremo embrizado" del carro, de modo que pueda mantener las manos lejos del borde de corte de la hoja. El carro empujador integrado opcional incluye un empujador incorporado que se desliza por una varilla a la derecha del carro y brinda la misma funcionalidad. El empujador se puede dejar fijo mientras el carro está en uso utilizando la entalladura de estacionamiento. El empujador incorporado se puede retirar del carro para limpiarlo o se puede limpiar junto con el carro cuando lo lleve al lavadero.

Para especificaciones eléctricas superiores a 250 voltios, un transformador proporciona un voltaje de circuito de control de 115 voltios. La protección contra sobrecarga térmica se encuentra disponible como opción.

Con cada sierra se proporciona una hoja de larga duración como equipo estándar. Esta hoja no se puede volver a afilar. Hojas de repuesto se encuentran disponibles en su oficina de servicio Hobart local.

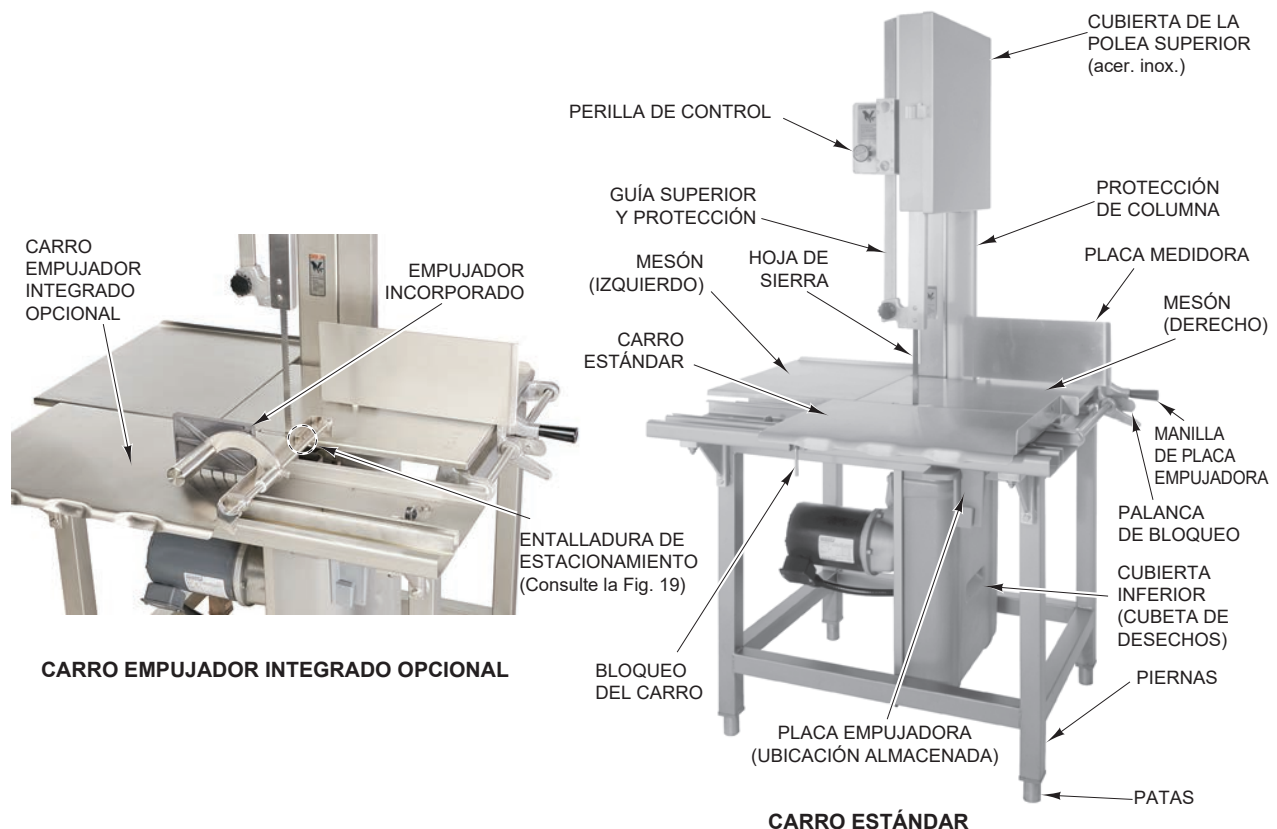


Fig. 1

# INSTALACIÓN

## DESEMBALAJE Y ENSAMBLAJE

La sierra fue inspeccionada antes de salir de la fábrica. El transportista asume total responsabilidad por la entrega segura una vez aceptado el cargamento. Compruebe que no haya daños al cargamento inmediatamente después de recibirlo.

Si la sierra está dañada, siga estos pasos:

1. Notificar al transportista dentro de los cinco días hábiles siguientes a la fecha de recepción.
2. Notificar de inmediato a la terminal local del transportista tras el descubrimiento (anotar la hora, la fecha y la persona con quien se habló) y hacer un seguimiento y confirmación mediante comunicaciones escritas o electrónicas.
3. Conservar todos los materiales originales del embalaje por motivos de inspección.
4. La sierra no debe moverse, instalarse ni modificarse.
5. Notificar al Servicio de Atención al Cliente de Hobart al (800) 333-7447.



Fig. 2

Antes de la instalación, pruebe el servicio eléctrico para asegurarse de que esté de acuerdo con las especificaciones que aparecen en la placa de datos de la máquina (Fig. 2) que se encuentra en la columna.

Embaladas en un paquete adherido al compartimiento del mesón se encuentran la placa empujadora, cuando se proporciona un carro estándar, y la manilla de la placa medidora. Coloque la placa empujadora en la posición de almacenamiento debajo del soporte del carro (Fig. 3). Ensamble la manilla de la placa medidora con el soporte de la placa medidora atornillando el perno en el orificio roscado (Fig. 4).

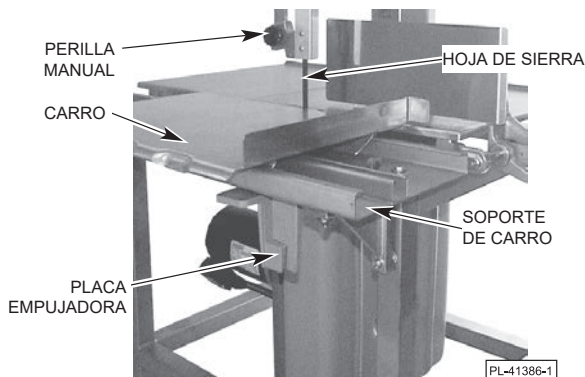


Fig. 3

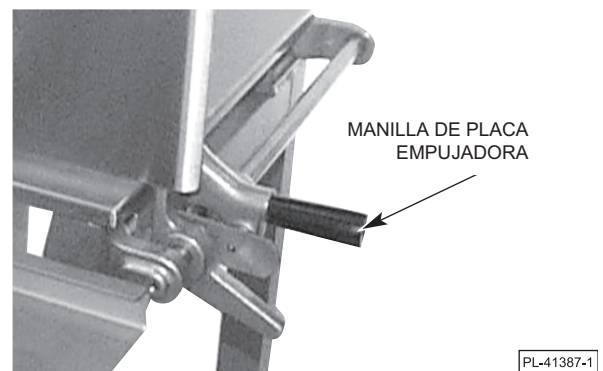


Fig. 4

## NIVELACIÓN

Coloque la sierra en el lugar de operación. Con un nivel de burbuja, nivele la sierra desde la parte delantera hasta la posterior y de lado a lado girando los pies roscados hacia dentro o fuera. El pie dejará de girar cuando haya alcanzado su altura de ajuste máxima.

**⚠️ ADVERTENCIA** Desconecte el suministro eléctrico que va hacia la máquina y siga los procedimientos de bloqueo y etiquetado.

## HOJA DE SIERRA

La hoja de la sierra se debe instalar de manera que los dientes del borde de corte apunten hacia la derecha y hacia abajo (Fig. 5).

## GUÍA SUPERIOR Y CONJUNTO DE PROTECCIÓN

Cuando la sierra está apagada, la perilla manual (Fig. 5) se puede usar para colocar la guía superior y el conjunto de protección de manera que la zona de corte quede solo a la altura necesaria para la pieza que se corte. La perilla manual no se debe aflojar durante la subida o bajada; debe permanecer bien firme.

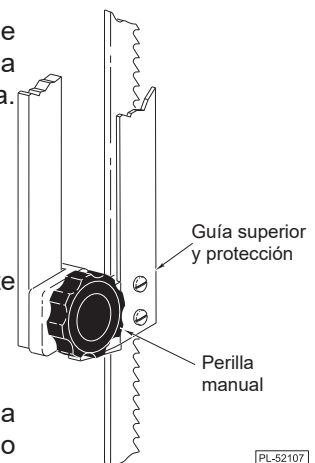


Fig. 5

## PROTECCIÓN DE COLUMNA

La protección de la columna (Fig. 6) cubre el bucle de retorno de la hoja móvil y siempre debe estar en su lugar durante el funcionamiento de la sierra. Para retirar la protección de la columna para limpiar o cambiar la hoja, primero retire el mesón derecho y la cubierta de la polea superior. Puede que desee retirar la cubierta inferior (cubeta de desechos) también. Luego, levante la protección de la columna hasta liberarla de los cabezales de los dos (IZQUIERDO) tornillos con pivote en la columna de la que cuelga.

## MESONES: DERECHO E IZQUIERDO

Durante el uso, los mesones derecho e izquierdo (Fig. 6) quedan fijos por debajo con pasadores y abrazaderas. Para retirar los mesones para limpiarlos: suba la placa medidora hasta su posición vertical; levante el lado derecho del mesón y retire el mesón de los dos pasadores. Después de retirar el mesón derecho se puede retirar el mesón izquierdo: levante el lado izquierdo del mesón izquierdo y cámbielo hacia la derecha para liberarlo de los dos pasadores.

## CUBIERTA DE LA POLEA SUPERIOR

La cubierta de la polea superior de acero inoxidable (Fig. 6) se debe instalar en los dos pernos giratorios del deflector de la polea superior de acero inoxidable y se debe fijar bien durante el uso de la sierra. Para retirar la cubierta de la polea superior de acero inoxidable para limpiarla, suéltela y abra la cubierta de la polea superior de acero inoxidable; luego, levántela de manera recta y retírela de los pasadores.

## CUBIERTA INFERIOR (CUBETA DE DESECHOS)

Durante el uso, la cubierta inferior (Fig. 6) sirve como cubeta de desechos, acumulando polvo de huesos y residuos de los raspadores de la hoja, y del limpiador de la polea que se encuentran en el panel inferior (Fig. 7). Para eliminar la cubierta inferior (cubeta de desechos) para limpiarla, libere la abrazadera que se encuentra en la parte superior; extráigala y levante la cubierta inferior de la ranura que se encuentra en la parte inferior del panel inferior.

## RASPADORES DE HOJA

Dos raspadores de hoja limpian la hoja durante su funcionamiento para acumular el polvo de huesos y residuos dentro de la cubierta inferior (cubeta de desechos). El raspador delantero apunta hacia arriba y el raspador posterior apunta hacia abajo (Fig. 7). Después de retirar la hoja, los raspadores se pueden deslizar de sus bloques de montaje para limpiarlos.

## LIMPIADOR DE POLEA

El limpiador de la polea (Fig. 7) limpia el polvo de huesos y residuos de la polea inferior durante su uso. El limpiador de la polea se puede retirar para limpiarlo soltándolo hacia arriba y deslizándolo de los pasadores.

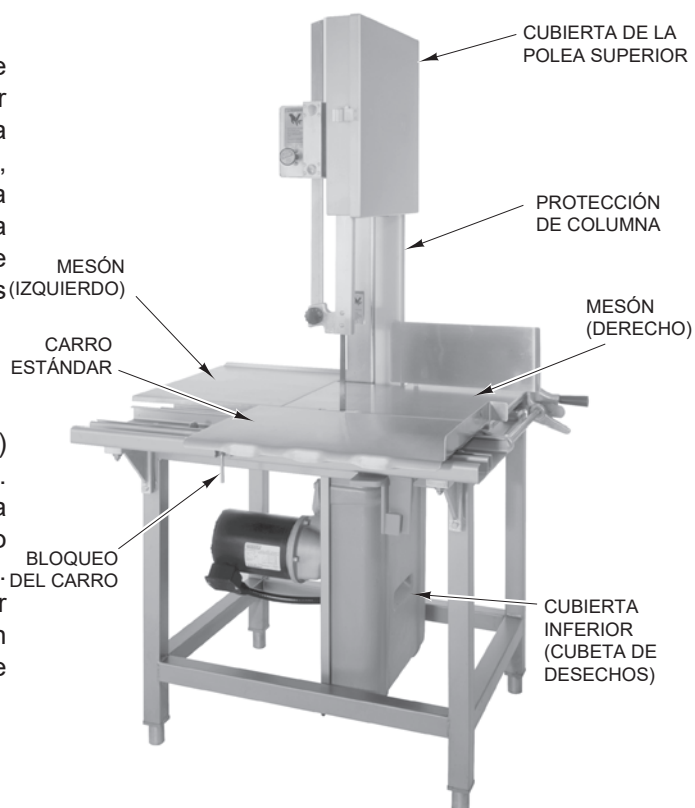


Fig. 6

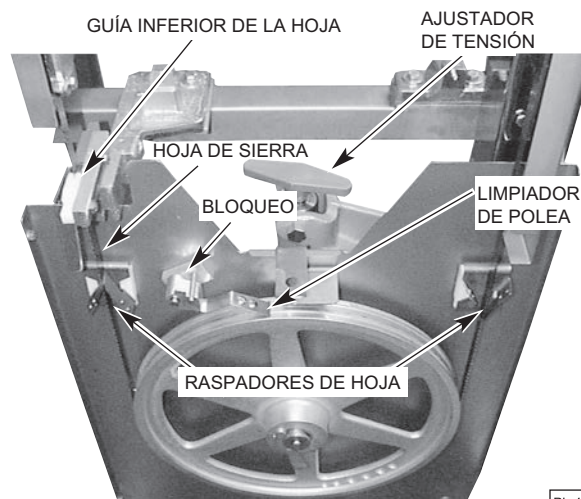


Fig. 7

PL-41451-1

## POLEA INFERIOR

La polea inferior se ensambla en el eje de la polea inferior. El seguro que se encuentra en la polea inferior debe estar insertado en la ranura del eje de la polea (Fig. 8). La polea inferior se puede retirar después que se haya soltado y retirado primero la hoja, y que el seguro de la polea inferior se haya quitado de la ranura del eje de la polea inferior.

## POLEA SUPERIOR

La polea superior se ensambla en el eje de la polea superior. El retén redondo que se encuentra en el eje de la polea superior se debe colocar fuera del centro cuando está con el seguro (Fig. 9). La polea superior se puede retirar después que se haya soltado y retirado primero la hoja, y que el retén redondo se haya movido al centro del eje de la polea superior.

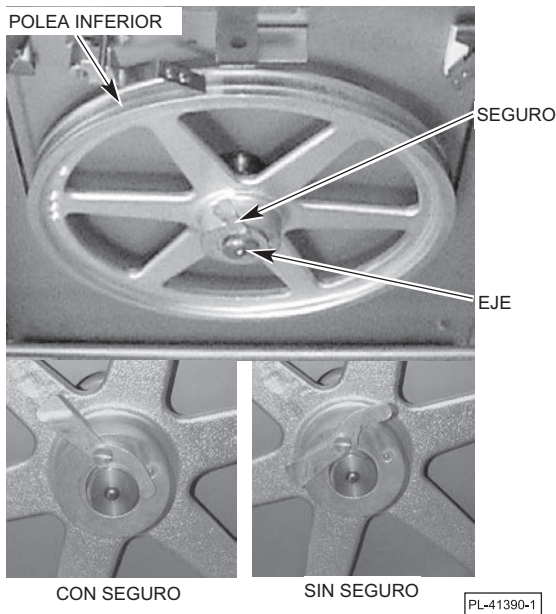


Fig. 8

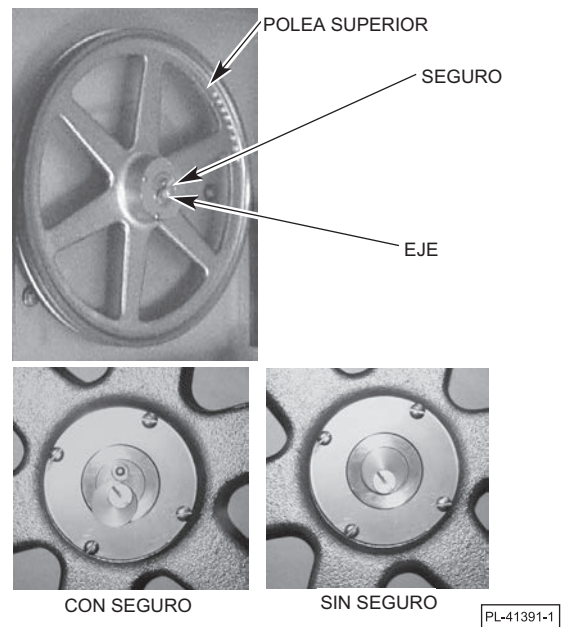


Fig. 9

## BANDEJA DE DESECHOS

Durante el uso, la bandeja de desechos se debe instalar entre el mesón izquierdo y el soporte del carro (Fig. 10). La bandeja de desechos se desliza en su lugar, apoyándose en el marco entre el soporte del carro y el mesón. El lado angulado de la bandeja de desechos se encuentra más cerca de la hoja.

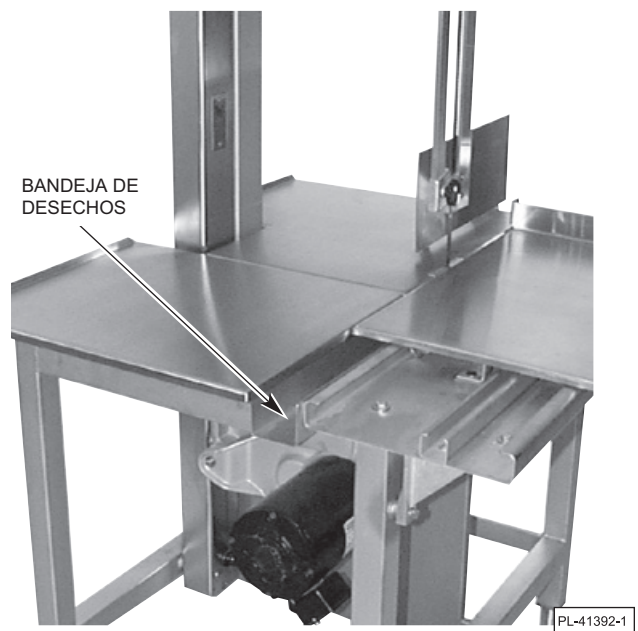


Fig. 10

## CARRO: EMPUJADOR ESTÁNDAR O INTEGRADO

Cuando está en uso, el carro se puede desplazar hacia delante y hacia atrás entre el tope izquierdo del carro (Fig. 11) y el tope derecho del carro, suponiendo que el bloqueo del carro accionado por resorte (Fig. 6) no ha bloqueado el carro en posición fija.

Para retirar el carro, gire los topes del carro en 90 grados, de modo que el deflector quede hacia la parte posterior (Fig. 12). Deslice el carro hacia fuera por cualquiera de los extremos mientras lo levanta separándolo de la estructura de soporte del carro (Fig. 11).

Para volver a instalar el carro, sostenga el carro de modo que los cojinetes (debajo) estén alineados con la estructura de soporte del carro. Deslice el carro en su lugar. Vuelva a colocar los topes del carro, de modo que el carro se detenga en ambos extremos.

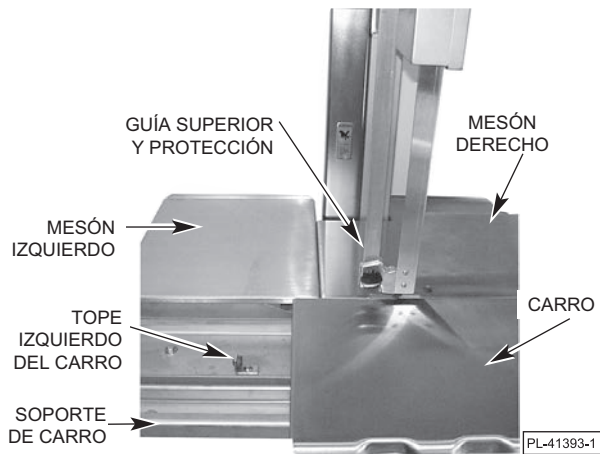


Fig. 11

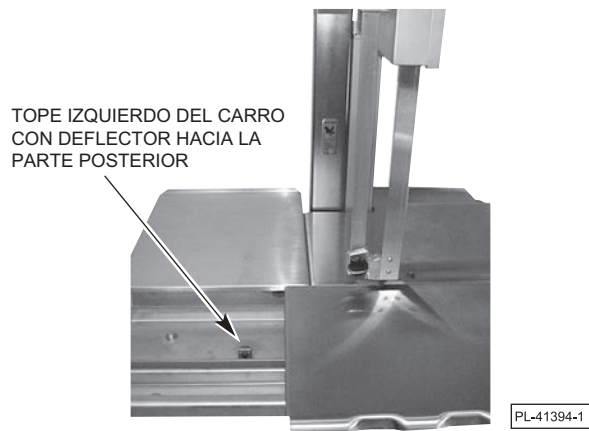


Fig. 12

## CARRO EMPUJADOR INTEGRADO

Para facilitar la limpieza, el empujador se puede retirar del carro empujador integrado destornillando la perilla y quitando el conjunto de perilla y varilla del brazo empujador. La manilla y el empujador también se pueden retirar del brazo destornillando la manilla. Consulte la Figura 13 para conocer la vista ensamblada y la Figura 14 para conocer la vista desensamblada de los componentes del carro empujador integrado. Vuelva a colocar el empujador en el carro empujador integrado después de limpiar.

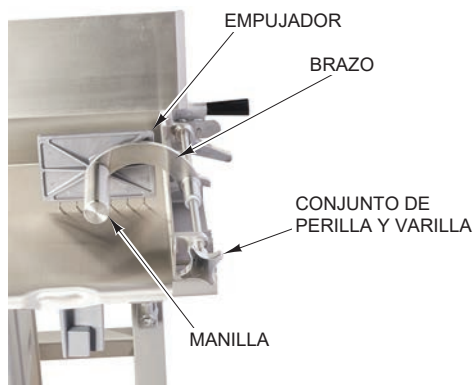


Fig. 13

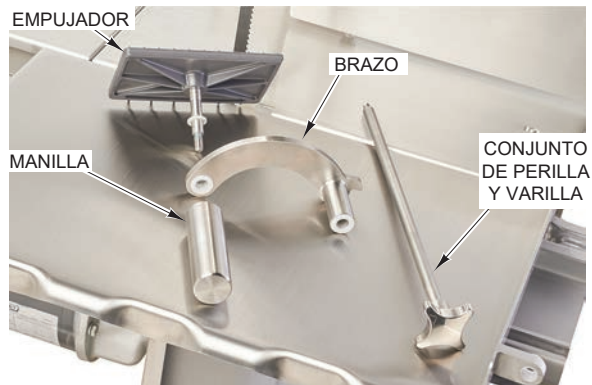


Fig. 14

## GUÍA INFERIOR DE LA HOJA

El conjunto de guía inferior de la hoja se encaja en el soporte de la guía inferior (Fig. 15). La hoja se encaja en las ranuras de la guía de la hoja de la sierra de acero y de la guía de plástico. Cuando se retira el mesón derecho y la guía de plástico está girada hacia arriba, el conjunto de guía inferior de la hoja se puede retirar para limpiarlo levantándolo del soporte de la guía inferior.

La guía de la hoja de la sierra de acero se encuentra disponible en varios anchos según la hoja que se use. Comuníquese con el servicio de Hobart para cambiar la guía de la hoja de la sierra de acero por otros anchos de hoja.

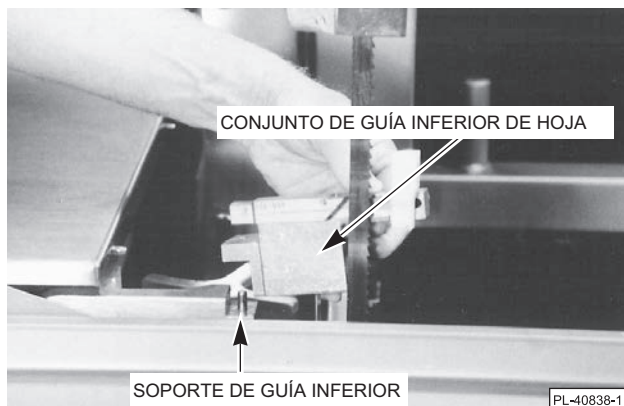


Fig. 15

## RETIRO DE LA HOJA

Retire las cubiertas de las poleas superior e inferior. Suba la placa medidora hasta que quede en posición vertical. Retire el mesón derecho levantando el lado derecho y deslizando el mesón hacia la derecha para liberarlo de los pasadores de posicionamiento. Retire la protección de la columna. Gire el ajustador de tensión en sentido contrario al de las agujas del reloj hasta que se detenga (esto liberará la tensión sobre la hoja subiendo la polea inferior). Suba la guía de plástico de la hoja sobre el conjunto de guía inferior de la hoja y libere la hoja de las guías superior e inferior de la hoja. Libere la hoja de los raspadores de hoja en la zona de la polea inferior y suéltela de las poleas. Retire la hoja.

Asegúrese de que las poleas estén instaladas correctamente y con el seguro (Figs. 8 y 9). Instale la hoja nueva con los dientes del borde de corte apuntando hacia la derecha y hacia abajo, mirando la parte delantera de la sierra. La hoja debe encajar entre las V que se encuentran en los raspadores de hoja en las ranuras de las guías superior e inferior de la hoja y no debe tocar ninguna de las bridas de la polea. La guía inferior de la hoja se debe instalar después que se instale la hoja. Cuando la hoja esté en su posición, consulte TENSIÓN DE LA HOJA, a continuación, para ajustar correctamente la tensión. Consulte GUÍA INFERIOR DE LA HOJA, anteriormente, si el ancho de la hoja nueva es diferente del ancho de la hoja antigua. Vuelva a instalar cualquier pieza que haya retirado.

## TENSIÓN DE LA HOJA

Después que haya instalado la hoja, ajuste la tensión de la hoja girando el ajustador de tensión (Fig. 7) en el sentido de las agujas del reloj hasta que se detenga.

## CONEXIONES ELÉCTRICAS

**⚠ ADVERTENCIA** Las conexiones eléctricas y a tierra deben cumplir con la parte correspondiente del Código Eléctrico Nacional o de otros códigos eléctricos locales.

**⚠ ADVERTENCIA** Desconecte el suministro eléctrico que va hacia la máquina y siga los procedimientos de bloqueo y etiquetado.

Un orificio de  $\frac{7}{8}$ " de diámetro para un conducto de calibre comercial de  $\frac{1}{2}$ " se encuentra en la parte posterior superior de la columna. Use conexiones estancas. Consulte la placa de datos de la máquina y el diagrama de cableado que se encuentran en la máquina cuando realice la conexión eléctrica. Conecte los conductores de suministro eléctrico a los conductores en espiral. Use cable de cobre clasificado al menos para 60 °C para la conexión.

### REVISE LA ROTACIÓN DEL MOTOR (MÁQUINAS TRIFÁSICAS)

Si el motor no rota de modo que los dientes del borde de corte de la hoja de la sierra se muevan hacia abajo mientras mira la zona de corte, corrija la rotación utilizando el siguiente procedimiento:

**⚠ ADVERTENCIA** Desconecte el suministro eléctrico que va hacia la máquina y siga los procedimientos de bloqueo y etiquetado.

Intercambie cualquiera de los dos conductores de suministro eléctrico entrantes. Vuelva a conectar el suministro eléctrico y encienda y apague por un momento la sierra para verificar que tenga la rotación correcta.

### CALEFACTOR DE LA CAJA DE CONTROL

La sierra tiene un calefactor en la caja de control para mantener secos los controles. El calefactor se ENCIENDE automáticamente cuando la máquina está conectada a la electricidad. La sierra se debe conectar al suministro eléctrico EXCEPTO cuando se realicen tareas de ensamblaje, desensamblaje, limpieza o mantenimiento en la sierra.

### LIMPIE LA SIERRA ANTES DE SU USO

La sierra se debe limpiar y sanitizar completamente después de la instalación y antes de su uso. Consulte LIMPIEZA en la página 11.



# OPERACIÓN

**⚠ ADVERTENCIA** Los dispositivos de seguridad incorporados en esta sierra deben estar en sus posiciones correctas en todo momento. No la opere sin las cubiertas y protecciones en su lugar. Si no se siguen estas instrucciones se pueden sufrir lesiones graves.

## CARACTERÍSTICAS DE SEGURIDAD

### Guía superior y conjunto de protección

Antes de encender la sierra, coloque la guía superior y el conjunto de protección agarrando la perilla manual y deslizando hacia arriba y hacia abajo, de modo que la zona de corte quede a la altura necesaria para la pieza que se corte. Cuando la sierra no esté en uso, baje siempre la guía superior y el conjunto de protección por completo.

### Puertas, cubiertas y protecciones

Todas las puertas, cubiertas y protecciones de columna deben estar en su posición de operación (cerradas) mientras esté en funcionamiento la máquina.

### Placa empujadora

Mantenga siempre las manos lejos de la hoja y permanezca en control del producto. Use la placa empujadora como se describe (página 10) para mantener una distancia segura del borde de corte de la hoja de la sierra.

## CONTROLES

Perilla de control    TIRE para encender la sierra.  
   PRESIONE para apagar la sierra.

**NO DEJE NUNCA LA SIERRA SIN SUPERVISIÓN MIENTRAS ESTÉ EN FUNCIONAMIENTO. CUANDO LA SIERRA NO ESTÉ EN USO, APAGUE SIEMPRE LA SIERRA Y BAJE LA GUÍA SUPERIOR Y EL CONJUNTO DE PROTECCIÓN.**

## ASERRADO

Coloque el producto en el carro. Coloque la guía superior y el conjunto de protección, y la placa medidora antes de encender la máquina.

Si usa el carro con desplazamiento. . .

Párese frente a la máquina. Inclínese levemente hacia la parte delantera del carro a medida que mueve el carro a la izquierda, pasando el producto por la hoja a una velocidad estable y uniforme.

Use la mano izquierda para retirar y apilar cortes, tomándolos siempre por detrás de la hoja. **NUNCA TRATE DE AGARRAR PRODUCTOS CRUZANDO EL BORDE DE CORTE DE LA HOJA.** Regrese el carro a la derecha, tirando el producto hacia usted y alejándose de la hoja.

Si usa el carro fijo. . .

El carro se puede bloquear en una posición fija tirando el bloqueo del carro accionado por resorte hacia fuera, girándolo en 90° y deslizando el carro hasta que se enganche el bloqueo (Fig. 16). Para desbloquear el carro, tire el bloqueo del carro hacia fuera y gírelo en 90°, de modo que se apoye en el soporte. Cuando aserre con mesón fijo, siga el mismo procedimiento de seguridad de agarrar por detrás de la hoja al retirar o apilar el producto. **NUNCA TRATE DE AGARRAR PRODUCTOS CRUZANDO EL BORDE DE CORTE DE LA HOJA.**

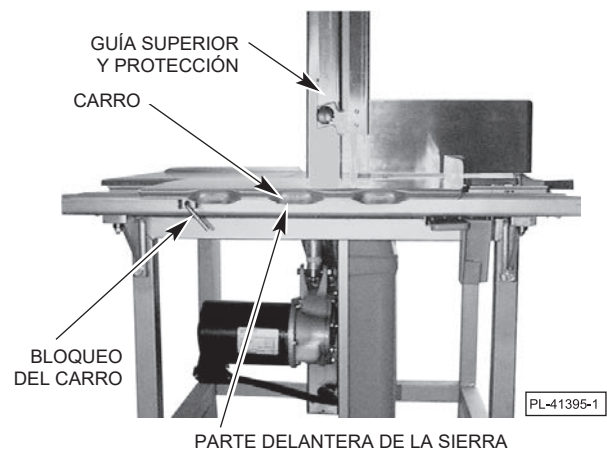


Fig. 16

## PLACA MEDIDORA

Al realizar varios cortes del mismo grosor (o al usar la placa empujadora), ajuste la placa medidora a su gusto (Fig. 17) empujando la palanca de bloqueo y deslizando la placa medidora hasta el grosor que desee. Una escala de referencia en el mesón indica el grosor del corte. Si no necesita la placa medidora, puede soltar la palanca de bloqueo y mover la placa medidora hasta la parte posterior o subir la placa medidora hasta una posición vertical para mantenerla a un lado.

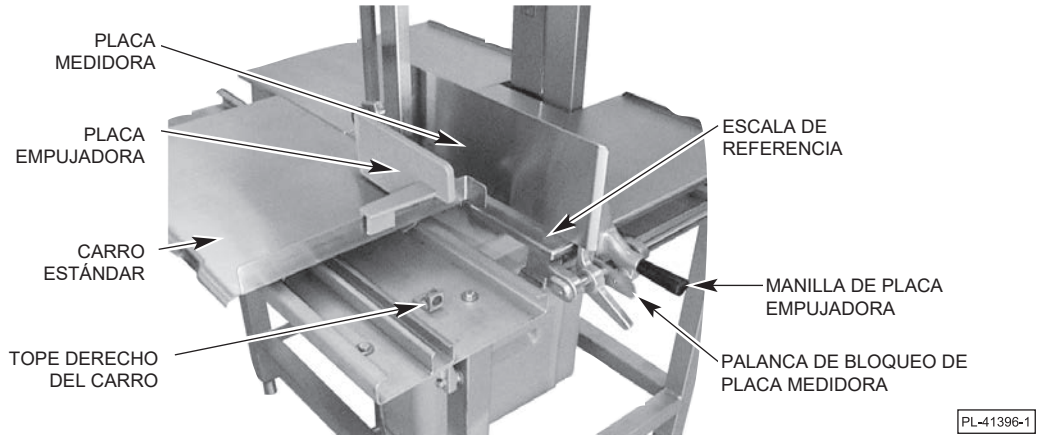


Fig. 17

## PLACA EMPUJADORA: CARRO ESTÁNDAR

La placa empujadora se usa para mantener la carne apoyada en la placa medidora al trozar productos pequeños o los últimos cortes de un producto. Se proporcionan una ranura en la placa empujadora y un tope en el extremo embreadado derecho del carro para posicionar correctamente la placa empujadora (Fig. 17). Sostenga la manilla de la placa empujadora con la mano derecha y mantenga siempre una distancia segura del mesón. Cuando no esté en uso, mantenga la placa empujadora debajo del soporte del carro (Fig. 3).

## PLACA EMPUJADORA: CARRO EMPUJADOR INTEGRADO

La placa empujadora está incorporada en el carro. Sostenga la manilla de la placa empujadora con la mano derecha y mueva la placa empujadora por la varilla mientras mantiene una distancia segura de la hoja (Fig. 18). La placa empujadora se puede almacenar en posición estacionada cuando no esté en uso (Fig. 19).

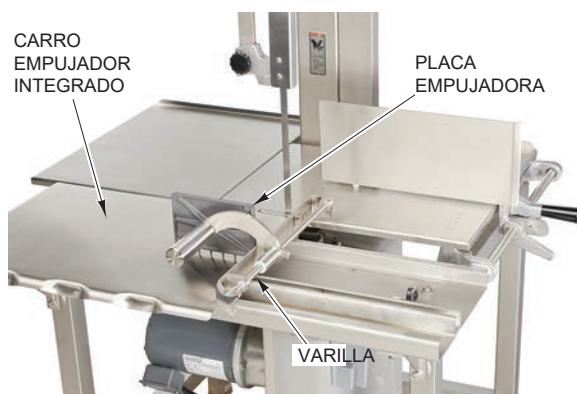


Fig. 18

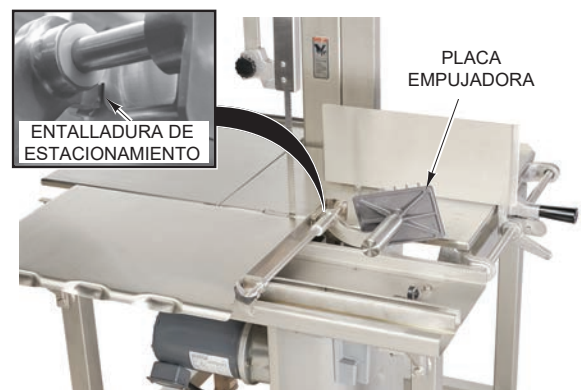


Fig. 19

# LIMPIEZA

## LIMPIEZA Y SANITIZACIÓN

**⚠ ADVERTENCIA** Desconecte el suministro eléctrico que va hacia la máquina y siga los procedimientos de bloqueo y etiquetado.

La sierra se debe limpiar y sanitizar completamente:

Antes del primer uso;

Después de la operación diaria;

En cualquier momento en que no se vaya usar durante un período de tiempo prolongado; o

Antes de usarla después de un período de inactividad prolongado.

La sierra se puede limpiar con equipo de limpieza a alta presión (disponible en otros proveedores) o se puede desensamblar y sus componentes se pueden limpiar en un lavadero. En cualquier caso se debe usar un agente de limpieza con pH neutro mezclado según las instrucciones del proveedor. Después de lavar, sanitice, enjuague y seque completamente la sierra y todos sus componentes.

Desensamble los siguientes componentes de la sierra para permitir el acceso a todas las áreas para limpiar...

- Cubierta de la polea superior
- Cubierta inferior (cubeta de desechos)
- Mesones: derecho e izquierdo
- Bandeja de desechos
- Empujador desde el carro empujador integrado
- Protección de columna
- Carro
- Limpiador de polea
- Raspadores de hoja
- Conjunto de guía inferior de la hoja
- Hoja de la sierra
- Guía superior y conjunto de protección (destornille la perilla manual para desensamblar)
- Poleas superior e inferior

Si usa equipo de limpieza a alta presión...

Raspe la máquina y sus componentes para eliminar cualquier partícula residual antes de limpiar.

Mangueree completamente la sierra y sus componentes siguiendo las instrucciones del proveedor del equipo. Asegúrese de pasar el chorro por todas las esquinas. Puede que deba escobillar los residuos difíciles.

Si limpia en el lavadero...

Use un paño escobilla en la unidad base. Lave, sanitice, enjuague y seque completamente.

Antes de volver a ensamblar, se debe aplicar una capa delgada de aceite mineral sin sabor a todas las superficies metálicas. Lubrique los seis cojinetes de bolas debajo del carro con una pequeña cantidad de aceite mineral. Aplique un par de gotas de aceite mineral a la varilla de deslizamiento de la placa medidora y mueva el conjunto de placa medidora hacia delante y hacia atrás un par de veces. Si la sierra tiene el carro empujador integrado opcional, siga el mismo proceso para la varilla de deslizamiento del empujador integrado.

Vuelva a ensamblar los componentes de la sierra en orden inverso al desensamblaje, asegurándose de que todas las piezas estén bien ensambladas.

### Vuelva a conectar el suministro eléctrico

La sierra tiene un calefactor en la caja de control para mantener secos los controles. El calefactor se ENCIENDE automáticamente cuando la máquina está conectada a la electricidad. La sierra se debe conectar al suministro eléctrico EXCEPTO cuando se realicen tareas de ensamblaje, desensamblaje, limpieza o mantenimiento en la sierra.

# MANTENIMIENTO

**⚠ ADVERTENCIA** Desconecte el suministro eléctrico que va hacia la máquina y siga los procedimientos de bloqueo y etiquetado.

## LUBRICACIÓN

El motor tiene cojinetes de bolas con lubricación permanente y no requiere lubricación adicional.

La barra de deslizamiento de la guía superior y el conjunto de protección tampoco requieren lubricación.

Después de la limpieza, aplique una pequeña cantidad de aceite mineral a los seis rodillos de los cojinetes de bolas debajo del carro, a la varilla de deslizamiento de la placa medidora y a los ejes de la polea.

## AJUSTE DE LA BARRA DE DESLIZAMIENTO

**NOTA:** La barra de deslizamiento debe estar libre para moverse hacia arriba y hacia abajo sin agarrotamiento, pero debe mantenerse en cualquier posición a la que se mueva.

1. Afloje los dos tornillos de fijación que se encuentran en el lado de la carcasa de la barra de deslizamiento (Fig. 20).
2. Retire los dos tapones (Fig. 20) que se encuentran en la parte delantera de la carcasa de la barra de deslizamiento.
3. Destornille los dos tornillos de fijación que se encuentran en la parte delantera de la carcasa de la barra de deslizamiento (Fig. 21).
4. Suba la barra de deslizamiento y lentamente apriete los dos tornillos de fijación laterales (Fig. 20) hasta que la barra de deslizamiento quede en su lugar.
5. Apriete los dos tornillos delanteros (Fig. 21).
6. Revise si existe movimiento libre hacia arriba y hacia abajo de la barra de deslizamiento y que se mantenga en cualquier posición a la que se mueva. Repita los pasos 1 y 3 hasta el 6 según se requiera.
7. Vuelva a instalar los tapones (Fig. 20).

## CAMBIO DE LAS HOJAS DE LA SIERRA

Si debe cambiar las hojas de la sierra, desensamble los componentes como se describe en **RETIRO DE LA HOJA**, en la página 7, y en las instrucciones para cualquier componente en todo el manual. Asegúrese de que los limpiadores, raspadores y todos los otros componentes se hayan vuelto a ensamblar correctamente. Consulte **TENSIÓN DE LA HOJA** en la página 7. Consulte **GUÍA INFERIOR DE LA HOJA** en la página 7.

## SERVICIO

Comuníquese con la Oficina de servicio local de Hobart para solicitar cualquier tipo de reparaciones o ajustes al equipo.



Fig. 20



Fig. 21